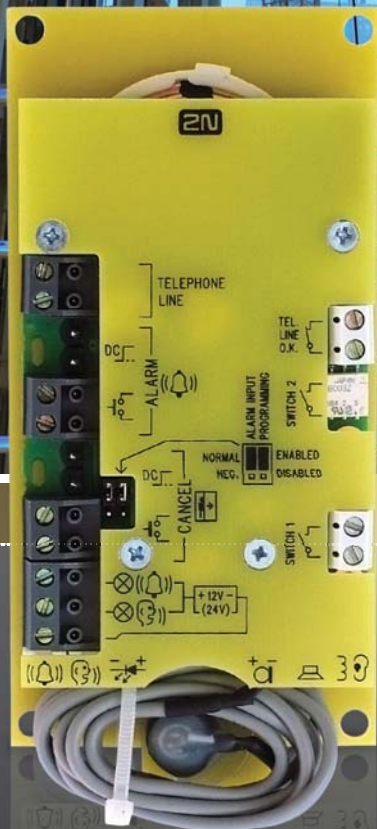




# 2N® SingleTalk

Communication via PSTN/PBX/GSM



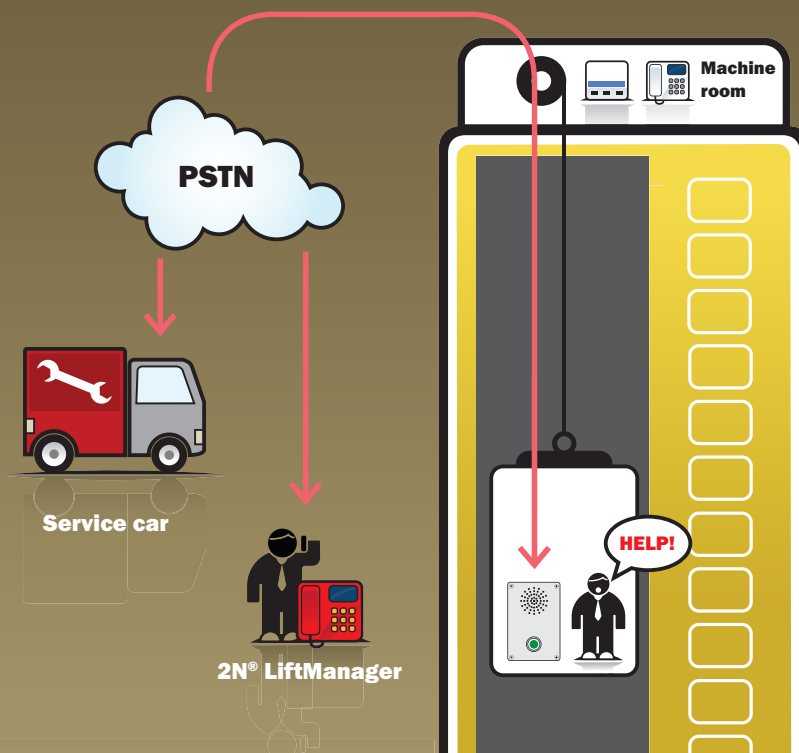
**2N® SingleTalk** is simple device designed for emergency communication from cabin of a lift. Thanks to additional device **2N® Lift CallConnect**, you can easily reach cabin from machine room and also program **2N® SingleTalk** locally.

- **Simple communication from cabin & machine room**
- **Fully powered from telephone line**
- Remote monitoring system support
- Possibility of connection with PSTN/GSM/PBX
- Compliant with EN 81-28



## Case study

- Up to 6 predefined emergency numbers
- Voice menu for easy programming
- Fully automatic function



## 2N® CallConnect

- Communication from machine room to cabin
- Local programming of 2N® SingleTalk
- Possible communication with cabin even during phone line communication



## 2N® LiftManager

PC keeping eye on your lift

- Receiving of:
  - Alarm calls
  - Error messages
  - Control calls
- Integrated database of companies & customers
- Registration of incoming calls
- Automatic operation

