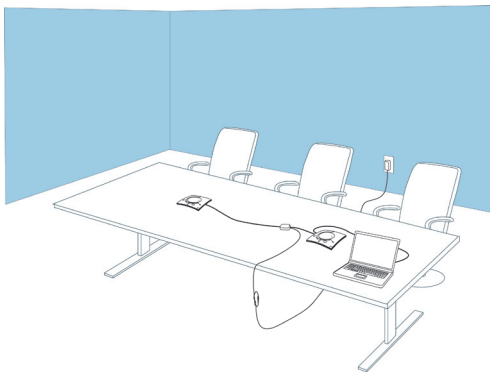




## CHATAttach™ (150 | 160 | 170)

### Quick Start Guide



## **Table of Contents**

<b>CHATATTACH: INTRODUCTION.....</b>	<b>3</b>
Product Overview.....	3
Service and Support.....	3
Unpacking.....	4
<b>CHATATTACH: GETTING STARTED.....</b>	<b>5</b>
CHATAttach: Connecting Two CHAT Devices.....	5
CHATAttach Working Modes.....	7
CHATAttach Troubleshooting.....	8

## **CHATAttach: Introduction**

### **Product Overview**

Thank you for purchasing the ClearOne CHATAttach accessory for the CHAT device. The CHATAttach accessory provides a means to connect two CHAT devices together for larger conference settings.

### **Service and Support**

If you need additional information on how to setup or operate your CHATAttach accessory, please contact us. We welcome and encourage your comments so we can continue to improve our products and better meet your needs.

### **Technical Support**

Telephone: 1.800.283.5936 (USA) or 1.801.974.3760

Fax: 1.801.977.0087

E-mail: [tech.support@ClearOne.com](mailto:tech.support@ClearOne.com)

Web site: [www.ClearOne.com](http://www.ClearOne.com)

### **Sales and Customer Service**

Telephone: 1.800.945.7730 (USA) or 1.801.975.7200

Fax: 1.800.933.5107 (USA) or 1.801.977.0087

E-mail: [sales@ClearOne.com](mailto:sales@ClearOne.com)

### **Product returns**

All product returns require a return material authorization (RMA) number. Please contact ClearOne Technical Support before attempting to return your product. Make sure you return all the items that shipped with your product.

## Unpacking

The CHATAAttach ships with a CHATAAttach cable and power supply as shown below.

**Cable Assembly**  
**830-156-010L**



**Power Supply**  
**551-156-200**



+

Contact your dealer for replacement parts and accessories.

- > **Note:** ClearOne is not responsible for product damage incurred during shipment. You must make claims directly with the carrier. Inspect your shipment carefully for obvious signs of damage. If the shipment appears damaged, retain the original boxes and packing material for inspection by the carrier. Contact your carrier immediately.

## CHATAttach: Getting Started

### Connecting Two CHAT Devices

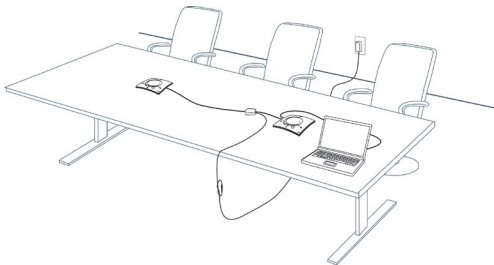
The CHATAttach makes it possible to connect two CHAT devices together for larger conference settings using the CHATAttach accessory kit.

In order to use the CHATAttach accessory, the following criteria must be met:

1. Both CHAT devices must be the same model number - both CHAT 150, both CHAT 160 or both CHAT 170 devices - mixing CHAT models using CHATAttach is not currently possible.
2. Both CHAT devices must have identical firmware versions installed. The firmware must be CHATAttach compatible. To ensure this, download the latest version of the firmware from the Website and update each device to the latest firmware. See the appropriate section of the appropriate CHAT User's Manual for instructions on how to update firmware. All older CHAT devices require firmware updates in order to work with the CHATAttach accessory.
3. The CHAT devices must be at least 5' apart for best performance.

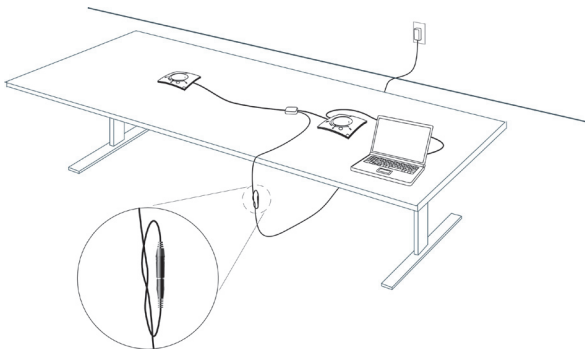
Use the following steps to connect the CHATAttach accessory.

1. Connect the two CHAT devices using the keyed CHATAttach cable.
2. Position the two CHAT devices so they're at least 5' apart from each other.
3. Plug in the CHATAttach power supply.



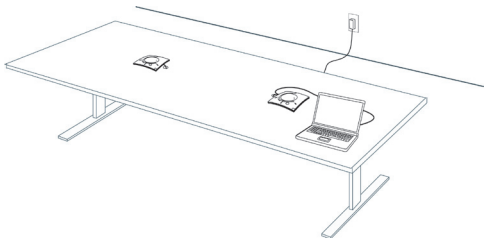


To prevent the power cable from inadvertently becoming unplugged before, during or after meetings, it is recommended that the connector end of the cable be secured in some way. One approach is to knot the male-female connection to prevent this from occurring as shown below.



4. Follow the instructions in the appropriate CHAT device's User's Manual to setup the CHAT device with a PC.

A recommended professional approach to setting up a conference room utilizing the CHATAccessory is to drill holes near where the CHAT devices will be placed, route the cabling through the holes and secure them underneath the conference table.



### CHATAttach Working Modes

The following table outlines the CHATAccessory working modes.

Mode #	Mode Code	Description	Condition
1	Solid Red LED on both CHAT devices.	Both CHAT devices are in MUTE mode.	Normal
2	Solid Blue LED on both CHAT devices	Both CHAT devices are in UNMUTE mode.	Normal
3	Single Blue Volume light on both CHAT devices.	No PC attached. Both CHAT devices are in STANDBY mode and will WAKE-UP when a PC is reattached to a device. All previous CHAT device settings will be reinstated.	Normal

## CHATAttach Troubleshooting

The following table describes issues that may occur and possible causes that may help identify and resolve problems when using the CHATAttach accessory.

Error #	Error Code	Cause	Resolution
1	Blinking Red LED's on both CHAT devices	Firmware on CHAT devices support CHATAttach but firmware versions are not the same	Download and install latest version of firmware for both CHAT devices.
2	Blinking Blue LED's on both CHAT devices	More than one PC connected at a time	Connect ONLY one PC to a CHAT device
3	Blinking Red LED on a single CHAT device	CHATAttach Power Supply not plugged in  Only one CHAT device supports CHATAttach  One CHAT device not connected to CHATAttach	Plug the CHATAttach Power Supply into an active power receptacle  Download and install the latest firmware onto all CHAT devices  Connect both CHAT devices to the CHATAttach accessory
4	CHAT devices will not synchronize	The firmware on both devices does not support the CHATAttach accessory	Update all CHAT devices to the latest firmware

