

SIP IP66 Outdoor Horn

The CyberData SIP IP66 Outdoor Horn provides an easy method for implementing a loud IP-based overhead paging system for loud areas, warehouses, manufacturing areas, and outdoor areas.

The interface is compatible with most IP PBX servers that comply with the SIP RFC 3261. For non-SIP environments, the speaker can be configured to listen to multicast address and port number combinations to form paging zones.

CyberData has maintained one of the most comprehensive list of IP PBX servers certified to work with CyberData VoIP Products.



Features

- Support for security code access for SIP paging
- Autoprovisioning via HTTPS
- HTTPS web-based configuration
- HTTP Command Interface
- 802.11q VLAN tagging
- Configurable event generation for device health and status monitoring
- Sealed network cable gland
- User-uploadable tones and up to 9 page messages
- Digital volume control
- Loud ringer function - second SIP extension
- 10 channel prioritized Multicast ports
- Built-in diagnostics
- Delayed page support - buffer call
- Cisco SRST

Related Products:



011124 PoE Power
Injector 802.3at



011376 SIP RGB
(Multi-Color) Strobe



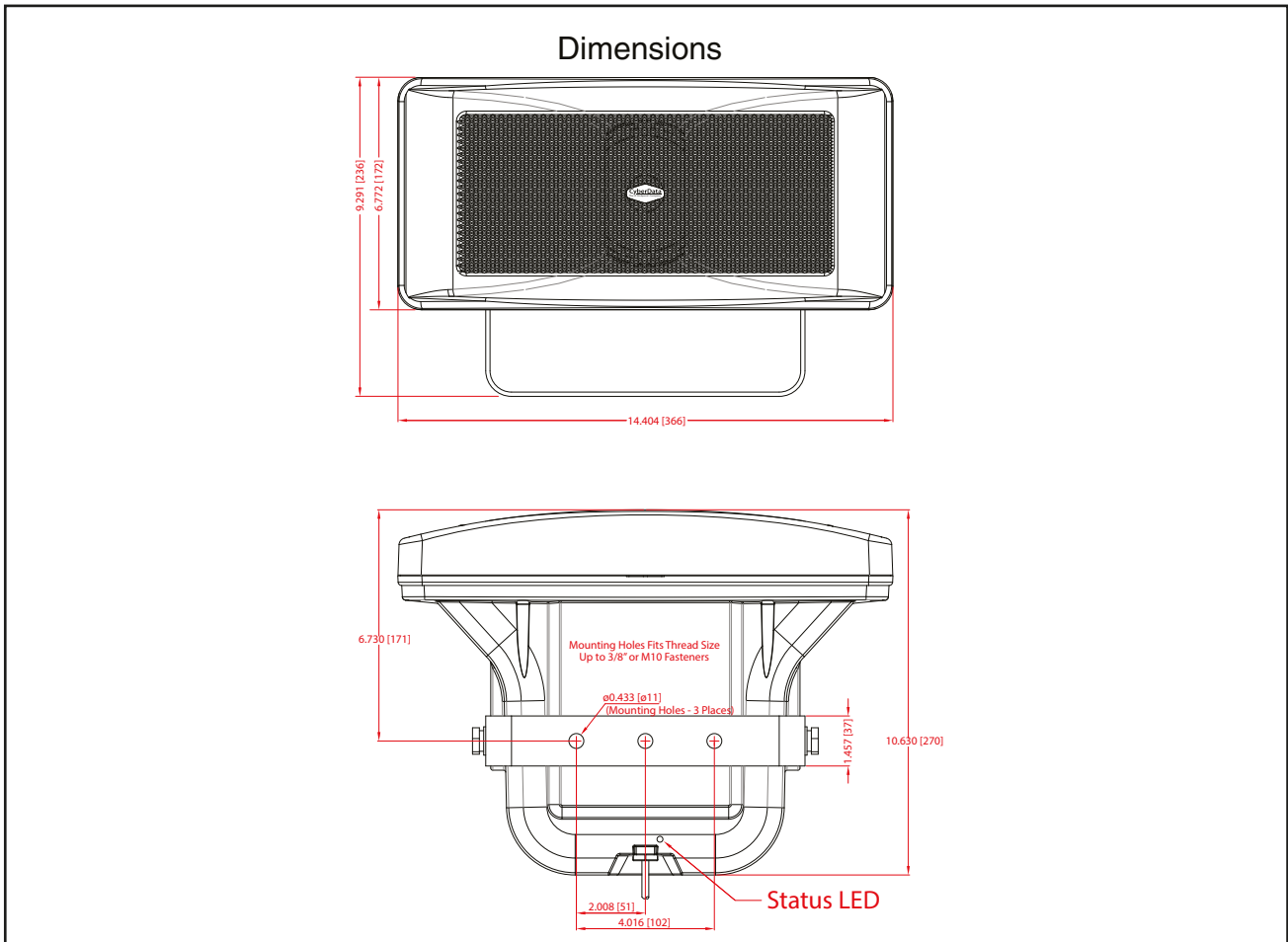
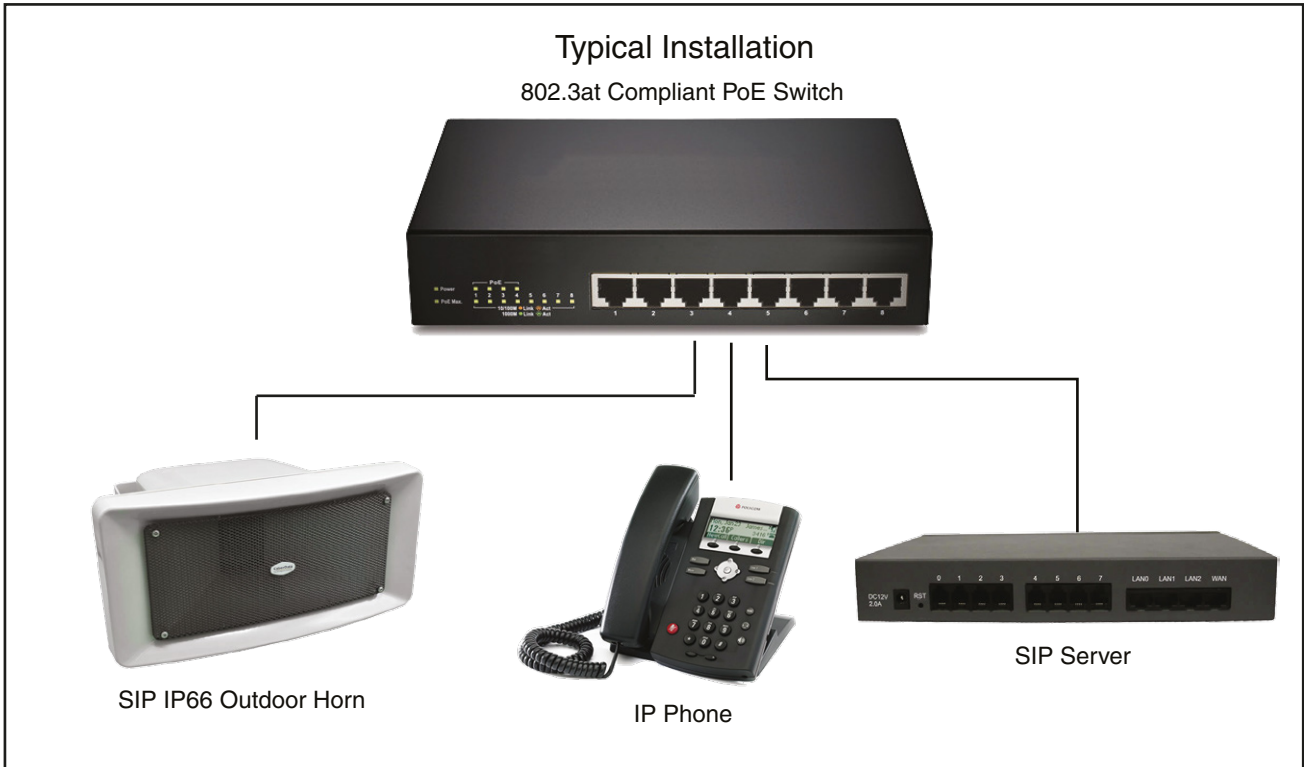
011146 SIP Paging Server
with Bell Scheduler

Specifications

Ethernet I/F	10/100 Mbps
Protocol	SIP RFC 3261 Compatible
Power Input	PoE 802.3at or 802.3af
Audio Output	802.3at: 107.7 (+/- 0.2) dBC @1M and 1kHz 802.3af: 104.8 (+/- 0.2) dBC @1M and 1kHz
Payload Types	G.711 a-law, G.711 μ -law, and G.722
IP Rating	IP66
Operating Range	Temperature: -40° C to 55° C (-40° F to 131° F) Humidity: 5-95%, non-condensing
Storage Temperature	-40° C to 70° C (-40° F to 158° F)
Storage Altitude	Up to 15,000 ft. (4573 m)
Dimensions*	Length: 14.404 in. [366 mm] Width: 10.630 in. [270 mm] Height: 6.772 in. [172 mm] (without stand) Height: 9.291 in. [236 mm] (with stand)
Weight	6.6 lbs. [3.00 kg]
Boxed Weight	8.8 lbs. [3.99 kg]
Compliance	CE; EMC Directive – Class A EN 55032 & EN 55024, LV Safety Directive – EN 60950-1, RoHS Compliant, FCC; Part 15 Class A, Industry Canada; ICES-3 Class A, IEEE 802.3 Compliant
Warranty	2 Years Limited
Part Number	011457

*Dimensions are measured from the perspective of the product being upright with the front of the product facing you.

SIP IP66 Outdoor Horn



SIP IP66 Outdoor Horn

