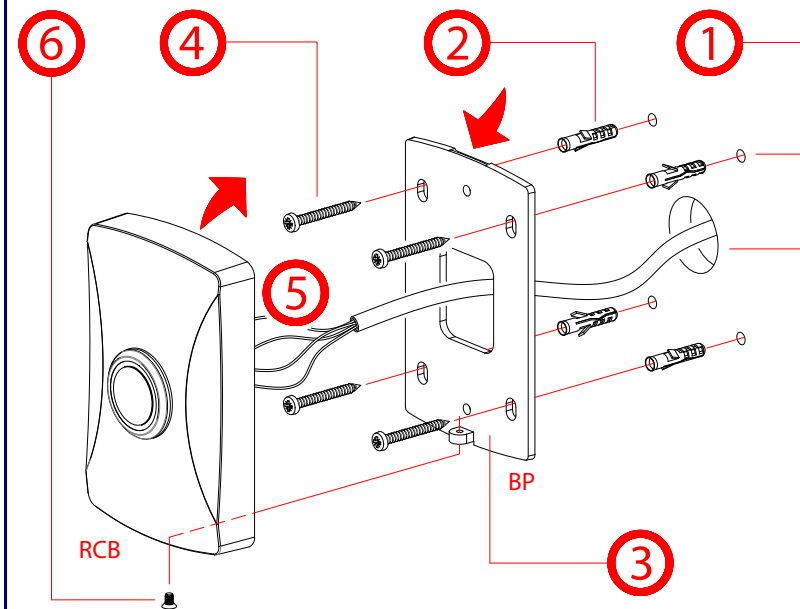


Mounting Options—Wall Mounting

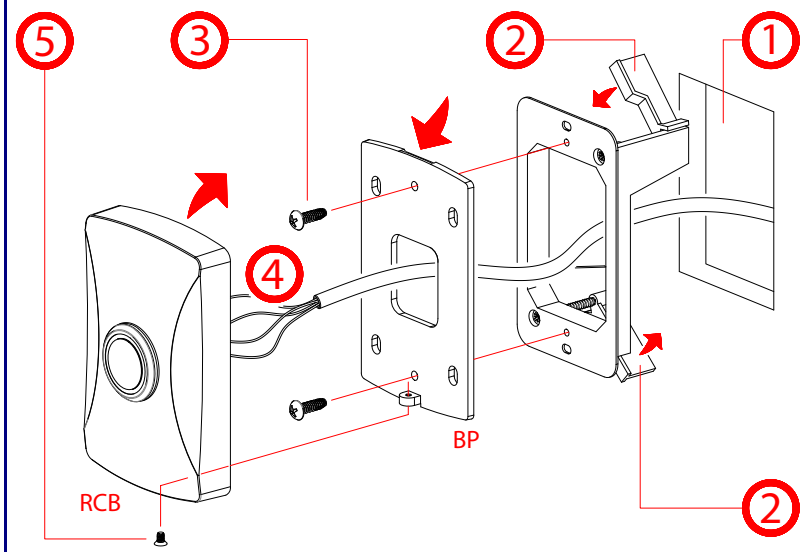
To be installed and or used in accordance with the appropriate electrical codes and regulations.



1. Prepare a hole cutout for both wires and the plastic-ribbed anchors. Use the provided **Mounting Template** or place the backplate directly onto the mounting surface. Mark the surface, and then drill the holes. (Drill Size: 3/16-inch / 4.8-mm) for the plastic-ribbed anchors.
2. Use a rubber mallet to hammer the plastic-ribbed anchors into the prepared holes.
3. Line up the backplate's Elongated Hole to the plastic-ribbed anchors.
4. Install the mounting screws through the backplate and plastic-ribbed anchors.
5. Connect the wires to the terminals on the Remote Call Button. See the **Connections** diagram on the Quick Reference Placemat.
6. Put the Remote Call Button and the backplate together by installing the flat head machine screw on the bottom.

Mounting Options—Plastic Low Voltage Bracket

To be installed and or used in accordance with the appropriate electrical codes and regulations.



1. Make a hole cutout for the Low Voltage Bracket*.
2. Fold down the flagnuts, and then insert the Low Voltage Bracket into the hole cutout.
3. Install the mounting screws through the backplate and the Low Voltage Bracket.
4. Connect the wires to the terminals on the Remote Call Button. See the **Connections** diagram on the Quick Reference Placemat.
5. Put the Remote Call Button and the backplate together by installing the flat head machine screw on the bottom.

*The Low Voltage Bracket and mounting screws are not provided.

Contacting CyberData

Corporate Headquarters

CyberData Corporation
3 Justin Court
Monterey, CA 93940, USA

Phone: 831-373-2601
Fax: 831-373-4193

<http://www.cyberdata.net/>

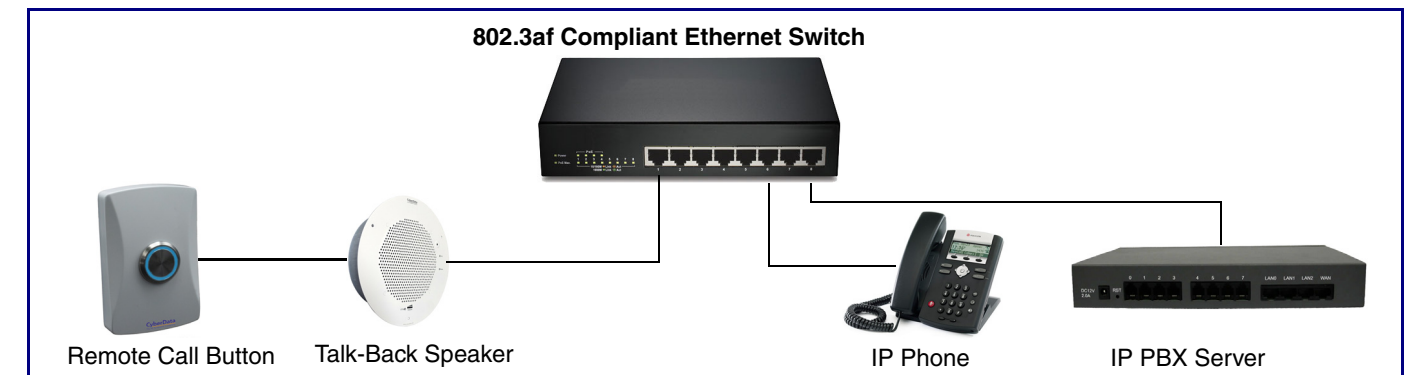
Sales: (831) 373-2601 ext. 334
Support: 831-373-2601 ext. 333
Support Website: <http://support.cyberdata.net/>
RMA Department: (831) 373-2601 ext. 136
RMA Email: RMA@CyberData.net
RMA Status: <http://support.cyberdata.net/>
Warranty Information: <http://support.cyberdata.net/>

CyberData
The IP Endpoint Company

Installation Quick Reference Remote Call Button 011508




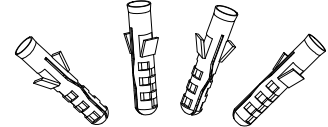

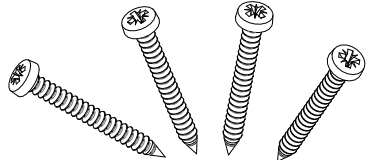
Typical Installation



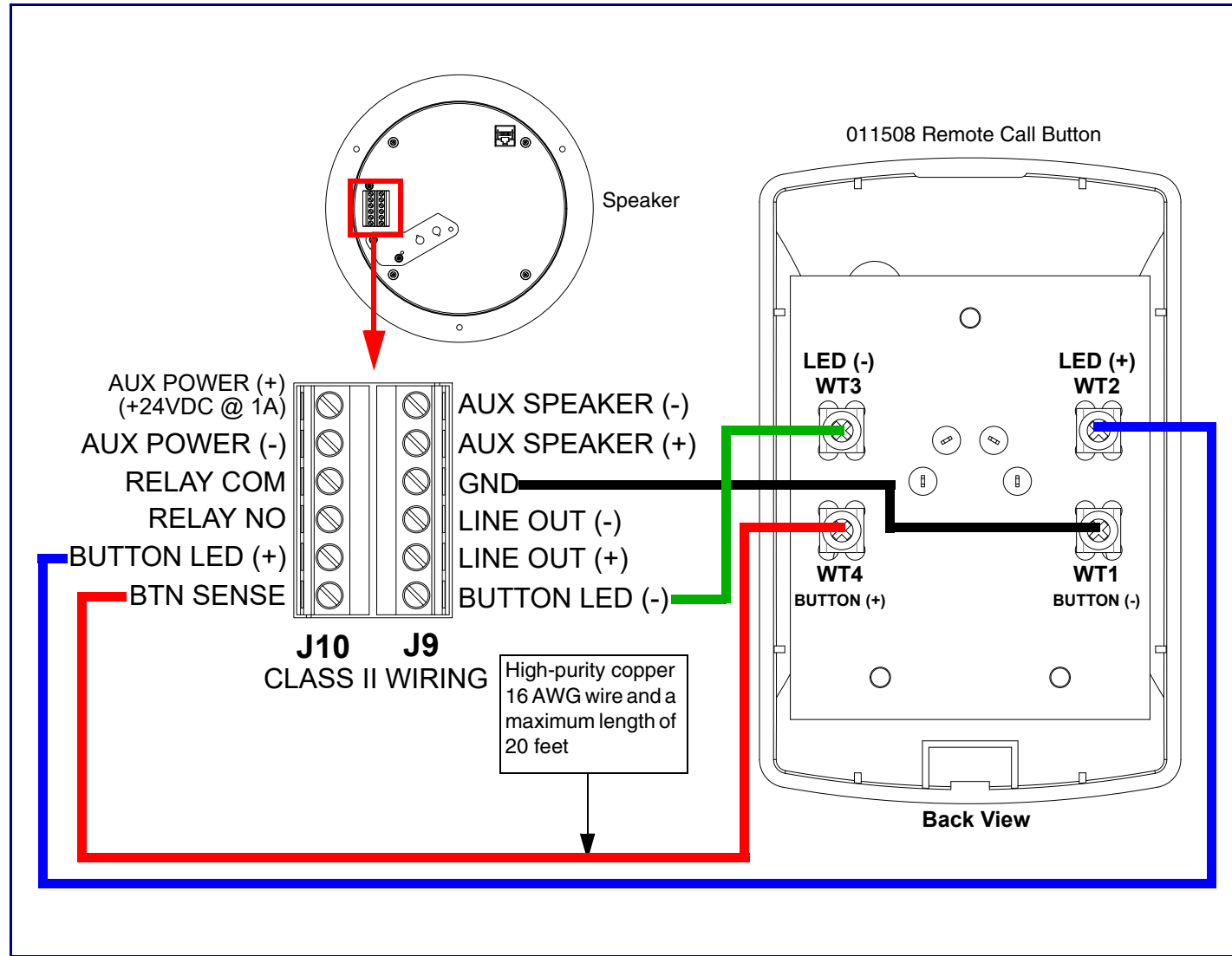
Getting Started

- Download the *Remote Call Button Operations Guide* PDF file from the **Downloads** tab at: <http://www.cyberdata.net/products/011508/>
- Create a plan for the locations of your speakers.
- **WARNING: This product should be installed by a licensed electrician according to all local electrical and building codes.**
- **WARNING: To prevent injury, this apparatus must be securely attached to the floor/wall in accordance with the installation instructions.**
- **WARNING: The PoE connector is intended for intra-building connections only and does not route to the outside plant.**
- **WARNING: The Call Button enclosure is not rated for any AC voltages!**

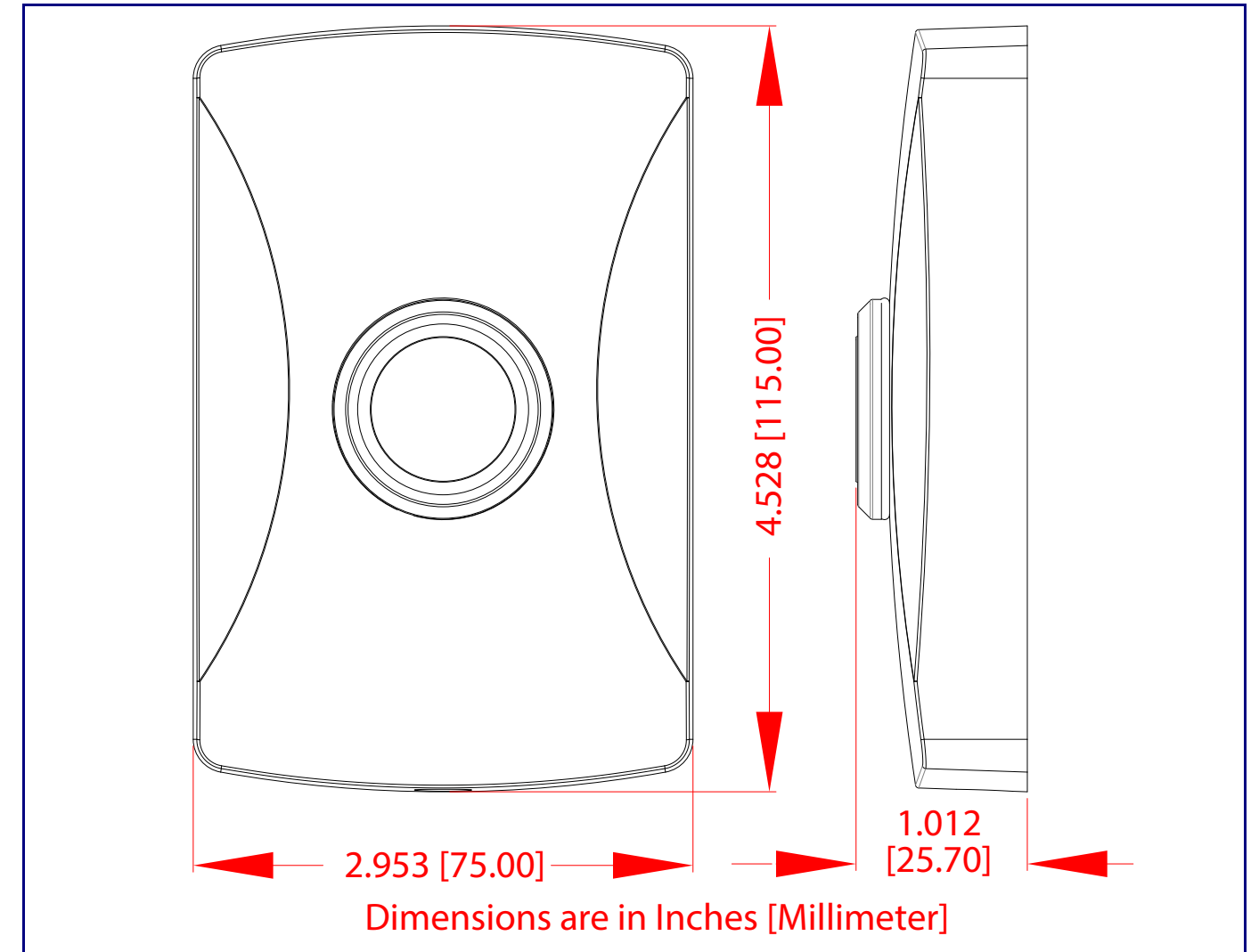
Parts

(1) Call Button Assembly	Accessory Kit
	(4x) Plastic Ribbed Anchor 
(1x) M3 x 6mm Flat Head Machine Screw 	(4x) Wall Mounting #6x1.25" Pan Head Phillips Sheet Metal Screw 

Connections



Dimensions



Mounting Template

