

## Designed for Better Collaboration

Yealink VC880, a full HD video conferencing system, is designed to maximize your collaboration experience with cutting-edge technologies. Equipped with the strongest embedded MCU within the industry, VC880 supports 24-site HD video conferencing; Moreover, the industry-leading multi-camera solution grants you to connect up to nine VCC22 video conferencing cameras and other accessories via an Ethernet cable and a PoE switch, getting multi-way and multi-view video conferencing as easily as you can. Owning the rich physical interfaces for audio and video connection, VC880 can be connected to the 3<sup>rd</sup>-party camera or access to the video matrix. In addition, it comes with the professional RCA-in/out interface that integrates the mixer with the gooseneck microphone. Yealink VC880 is with a spilt-type structure to meet the deploy requirement of the control room which separates from a large conference room. To minimize cable clutter and lower the cost, we combine three cables (power cord, video cable and control line) into one cable, giving you a clean and tidy work environment.



3<sup>rd</sup>-Party  
Camera



24-Site  
Multipoint



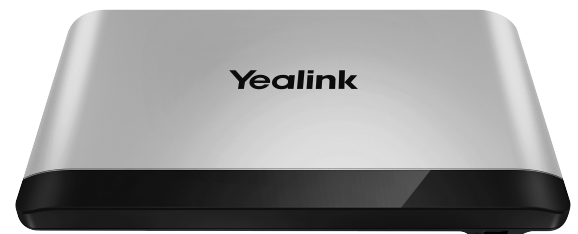
Multi-Camera  
Solution



RCA  
Connection



PSTN



## Key Features and Benefits

### Spilt Type for Integration in Conference Room

Spilt type, multi-camera solution (up to nine VCC22 camera can be connected), only one Ethernet cable – are definitely optimized for the control room which separates from the conference room, helping you make deployment as easy as possible without costly room remediation. For multi-camera solution, only one PoE switch and an Ethernet cable are enough, skipping the complex video matrix and saving your time and cost. Support RCA-in/out and 3<sup>rd</sup>-party camera connection to make deployment simply and efficient.

### 3rd-party camera connection, Strong Compatibility

An exclusive HDMI interface permits the video input from the 3<sup>rd</sup>-party camera or video matrix, and you can put the video image both different cameras together like a puzzle, as well as change the video layout. Besides, coming with the profession RCA-in/out interface, VC880 perfectly integrates the mixer with the gooseneck microphone.

### Better Network Adaptability

Thanks to Yealink anti-packet loss technology, VC880 can resist up to 30% video and 70% audio packet loss which guarantees smooth video and audio communication.

### Compatibility and Integration

Yealink VC880 supports standard H.323/SIP dual protocol. It is not only deeply integrated with Yealink Meeting Server(YMS), supporting Meeting Scheduling and One-touch Meeting Access; but also worked with Yealink Cloud Management Service, bringing quick deployment. Besides, it supports the 3<sup>rd</sup>-party room system and integrates with the leading cloud platforms.

- Multi-camera solution (up to nine VCC22 camera)
- H.323/SIP dual protocol
- Super video packet loss recovery technology, resistant up to 30% video and 70% audio
- Two HDMI interfaces
- 3<sup>rd</sup>-party camera and video matrix input
- RCA audio input/output
- VCM34 Video Conferencing Microphone Array
- CTP20 Collaboration Touch Panel
- CPN10 PSTN Box
- VCH50/VCH51 Video Conferencing Hub
- Supports collaboration features (interoperable with whiteboard and annotation on content sharing)

### Package includes:

- VC880 Codec
- VCR11 Remote Control
- VCH50/VCH51 Video Conferencing Hub
- 5 x Cable Ties

### Full-HD PTZ Camera VCC22 (optional)

- 1920 x 1080 video resolution
- 60 frame rate
- 12x optical zoom PTZ camera
- Horizontal field of view: 70°
- Vertical field of view: 42°
- Pan angel range: +/- 100°
- Tilt angel range: +/- 30°
- Beauty shot

### Multipoint Capacity

- Multipoint license for 8/16/24 sites
- Additional five-way audio call
- Mixed protocols, codecs, bandwidth, resolution and frame rate

### Video Standard and Network Suitability

- Bandwidth/protocol/audio&video call auto adaptive
- Video codecs: H.265/HEVC, H.264 High Profile, H.264, H.263, H.263+
- Bandwidth dynamic adaptive adjustment
- Shared content and audio preference strategy
- Anti 30% video packet loss
- Anti 70% audio packet loss

### Audio Features

- Audio codecs:
  - Opus, 8~48kHz sampling rate (4~20kHz bandwidth)
  - 14kHz bandwidth with G.722.1C
  - 7kHz bandwidth with G.722.1, G.722
  - 3.4kHz bandwidth with G.711 (PCMA/PCMU)
  - G.729
  - ARES
- Audio technology:
  - Acoustic echo cancellation
  - Automatic gain control
  - Yealink Noise Proof Technology
  - CNG, PLC, AJB, De-Rerb

### Call Features

- 1080p60 people + 1080P30 content sharing video quality
- Video Layout:
  - Voice activation (onePlusN)
  - onePlusN, maximum 1+7 viewable participates
  - N\*N, maximum 3\*3 viewable participates
  - Picture-in-picture (PIP)
  - Full-screen
- Video/audio recording and playback
- Dual displays and 'focus' feature
- Screenshots in USB flash drive or YMS

- Group dial
- Meeting control:
  - invite/remove
  - mute/unmute participates
  - lock
- DND (do not disturb)
- Call statistics
- Auto answer, mute, call waiting
- Virtual meeting room password
- Virtual keyboard
- Local directory: 500 entries
- Call history: all/missed/received/dialed
- LDAP phonebook
- Multi-language support

### Standard Communication Protocol

- H.323/SIP
- Dual stream protocol: H.239 (H.323)/BFCP (SIP)
- FECC: H.224/H.281, Sony VISCA and PELCO D/P
- H.323 protocol suite: H.245, H.225, H.235, H.241
- Gatekeeper account and SIP account

### Network and Security Features

- Supports dual-band Wi-Fi via Yealink WF50(802.11a/g/n/ac)
  - Wireless AP mode
  - Wireless Client mode
- IPv4 and IPv6, DHCP/static IP, TCP/IP
- SNMP V1/V2
- HTTPS web server
- RS232/HTTP API for control system integration
- SRTP/TLS, AES 256-bit encryption
- QoS: 802.1p Class of Service(CoS), Diff-serv(DSCP)
- 802.1Q VLAN, 802.1X, LLDP-MED
- Anti-attack
- Network diagnosis: Ping, trace route
- Time and date synchronization using SNTP
- Built-in certificate

### NAT and Firewall Traversal

- NAT (manual/auto mode)
- ICE/TURN/STUN
- Yealink intelligent firewall traversal
- Open VPN
- H.460.18, H.460.19

### Configuration Management

- Configuration via browser/display/auto-provisioning
- Virtual remote control
- Firmware upgrading
- Factory resetting
- Export or import configuration
- System log exporting

### VC880 Codec Connections

- 2 x HDMI output (supporting CEC function)
- 1 x HDMI for 3rd-party camera
- 1 x RCA-in
- 1 x RCA-out
- 1 x Yealink VCH port (RJ-45) for VCC22 camera connection
- 1 x 10/100/1000M Ethernet port
- 3 x USB 2.0
- 1 x Power port
- 1 x Security lock slot
- 1 x Reset slot

### VCH50 Connections

- 1 x RJ-45 port connect to VC880 codec
- 1 x RJ-45 port connect to CP960/VCM34
- 1 x HDMI input for content sharing (with audio)
- 1 x Mini-DP input for content sharing (with audio)
- 1x USB 2.0 for recording

### VCH51 Connections

- 1 x RJ45 port connect to VC880 codec
- 1 x HDMI Cable for content sharing (with audio)
- 1 x Type-C Cable for content sharing (with audio)
- 1 x USB 2.0 for recording

### Other Physical Features

- Color: Space Silver
- External Yealink Power Adapter: AC 100~240V input and DC 48V/0.7A Output
- Wall/TV mounted shelf with screws
- Power consumption (PSU): Idle < 16W, Normal: 17W; MAX: 21W
- USB Output (Front): 5V 1A
- USB Output (Back): 5V 1A
- Dimension (W.D.H):
  - VC880 codec: 330 mm x 183 mm x 40 mm
  - VCR11: 190mm x 55mm x 24mm
- Operating humidity: 10~95%
- Operating temperature: 0~40° C
- Storage temperature: -30~70° C

### Package Features

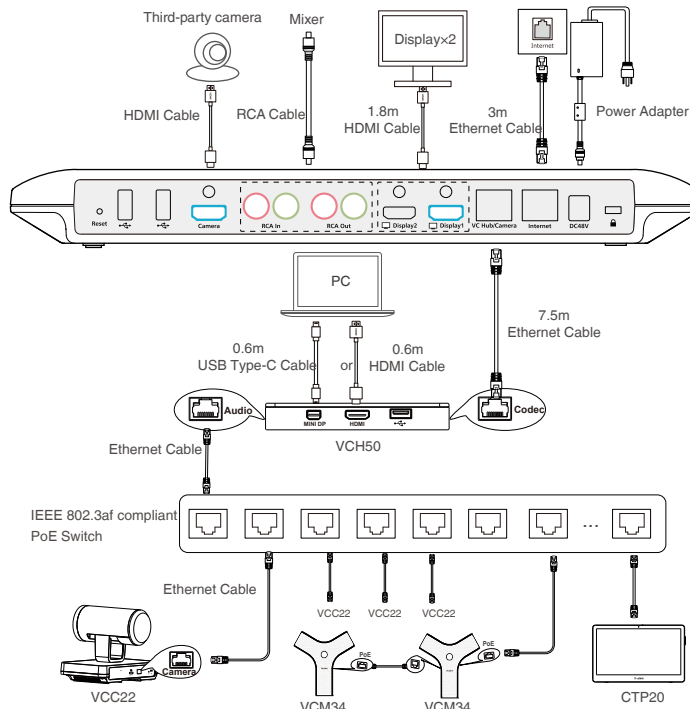
- Qty/CTN: 4 PCS
- Giftbox size: 396mm\*300mm\*126mm
- Carton Meas: 520mm\*310mm\*408mm

### Compliance



### Connections

- If endpoint works with VCH50, do the following:



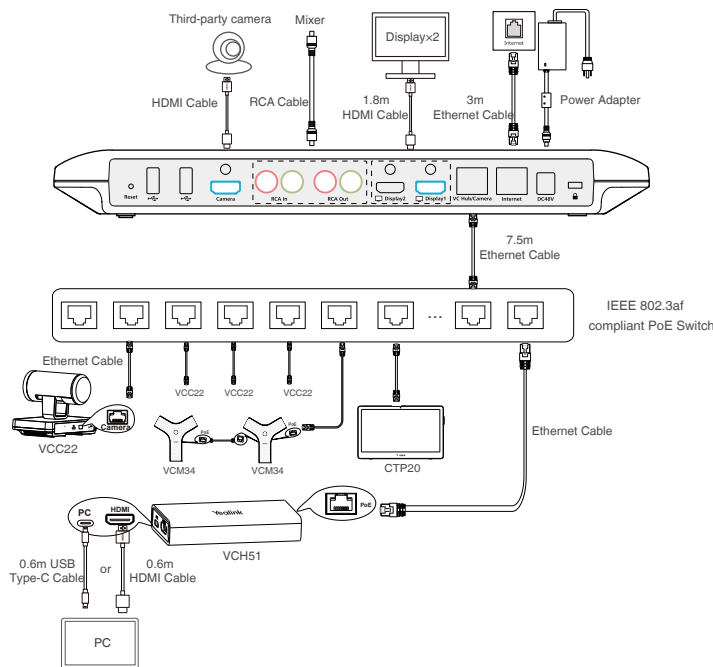
💡 The system should be used with Yealink original power adapter (48V/0.7A) only. The use of the third-party power adapter may damage to the system. The cable should be replaced at once if its skin is broken.

💡 The system can connect up to 9 VCC22 video conferencing cameras.

💡 VCC22 video conferencing cameras, VCM34 video conferencing microphone array, CTP20 collaboration touch panel, PoE switch and Ethernet cables should be purchased separately. In order to ensure the best network signal, please purchase UL certified CAT5E Ethernet cables and recommended PoE switch. The maximum length of each Ethernet cable is 100 meters. Contact the agents or hotline support to get the recommended PoE switch models.

💡 If you do not need wired sharing, VCH50/VCH51 video conferencing hub is unnecessary.

- If endpoint works with VCH51, do the following:



## About Yealink

Yealink is a global leading provider of enterprise communication and collaboration solutions, offering video conferencing service to worldwide enterprises. Focusing on research and development, Yealink also insists on innovation and creation. With the outstanding technical patents of cloud computing, audio, video and image processing technology, Yealink has built up a panoramic collaboration solution of audio and video conferencing by merging its cloud services with a series of endpoints products. As one of the best providers in more than 140 countries and regions including the US, the UK and Australia, Yealink ranks No.1 in the global market share of SIP phone shipments.

## Copyright

Copyright © 2020 YEALINK(XIAMEN) NETWORK TECHNOLOGY CO., LTD.

Copyright © 2020 Yealink(Xiamen) Network Technology CO., LTD. All rights reserved. No parts of this publication may be reproduced or transmitted in any form or by any means, electronic or mechanical, photocopying, recording, or otherwise, for any purpose, without the express written permission of Yealink(Xiamen) Network Technology CO., LTD.

## Technical Support

Visit Yealink WIKI (<http://support.yealink.com/>) for firmware downloads, product documents, FAQ, and more. For better service, we sincerely recommend you to use Yealink Ticketing system (<https://ticket.yealink.com>) to submit all your technical issues.



YEALINK(XIAMEN) NETWORK TECHNOLOGY CO.,LTD.  
Web: [www.yealink.com](http://www.yealink.com)  
Addr: No.1 Ling-Xia North Road, High Tech Park,  
Huli District, Xiamen, Fujian, P.R. China  
Copyright©2020 Yealink Inc. All right reserved.