



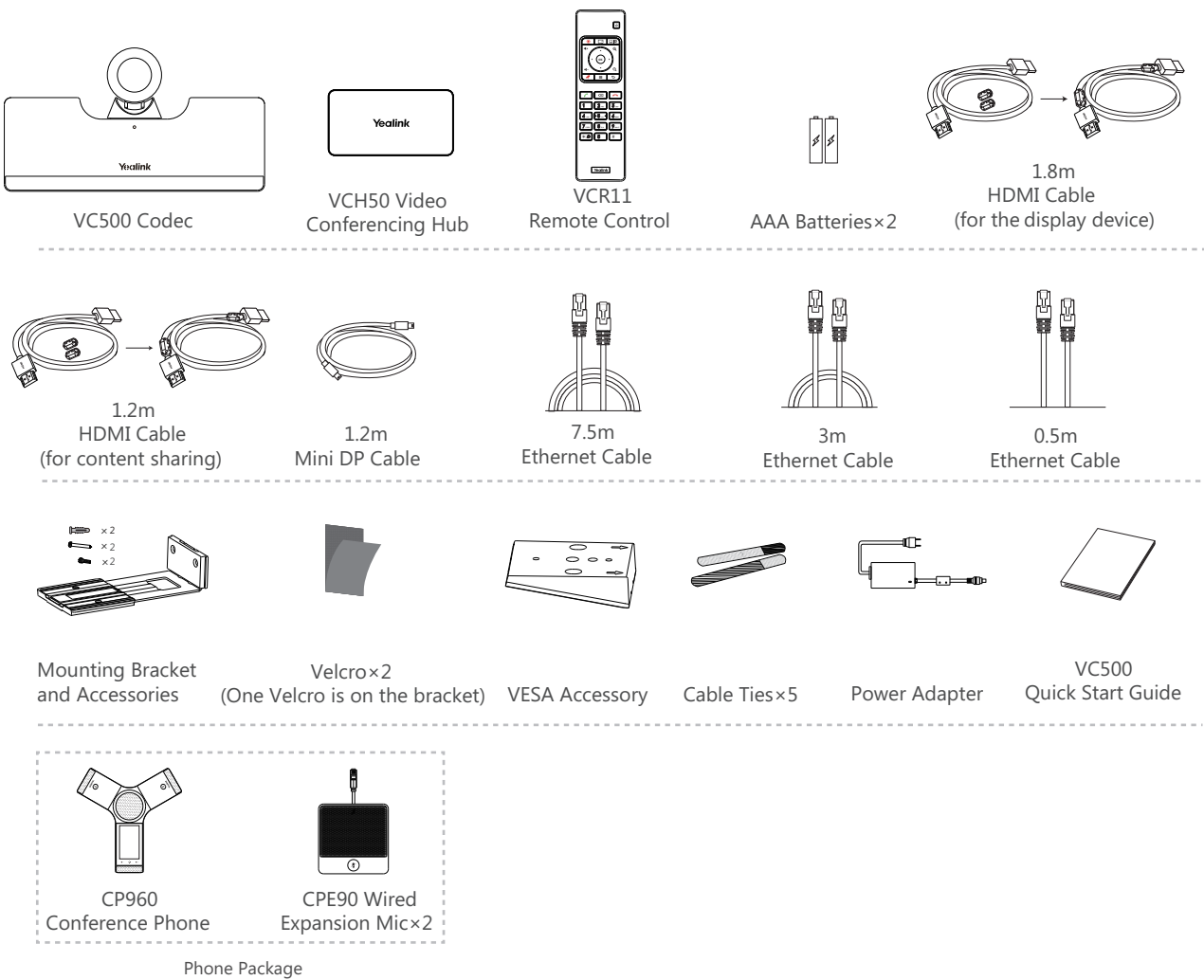
Yealink Network Technology CO., LTD

Yealink VC500 Full HD Video Conferencing Endpoint Quick Start Guide

V30.2

Applies to firmware version 71.30.0.2 or later

Packaging Contents



- 💡 We recommend that you use the accessories provided or approved by Yealink. The use of unapproved third-party accessories may result in reduced performance.
- 💡 The VC500 endpoint should be used with Yealink original power adapter (48V/0.7A) only. The use of the third-party power adapter may cause the damage to the endpoint. The cable and wire should be replaced at once if its skin is broken.
- 💡 Before using the HDMI cable, put the magnet rings on it to prevent electromagnetic interference.

VC500 Codec Installation

Select one of the following installation method based on your site requirements:

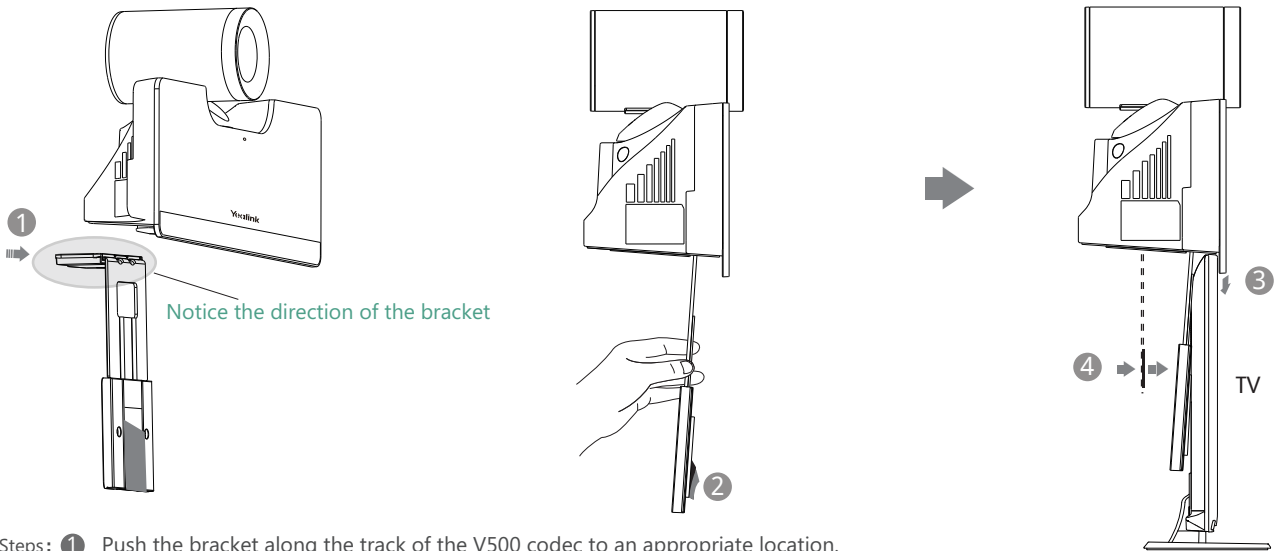
- Put on a Flat Surface
- Mount on top of a TV
- Mount on a wall
- Mount on a ceiling
- Mount onto a TV stand or a tripod

● Put on a Flat Surface

You can put the VC500 codec on a conference room table, and make sure that the slope is not more than 5 degrees so that the VC500 can operate correctly.

● **Mount on top of a TV**

Please choose the following installation method when the thickness of the TV is between 1mm and 36mm.

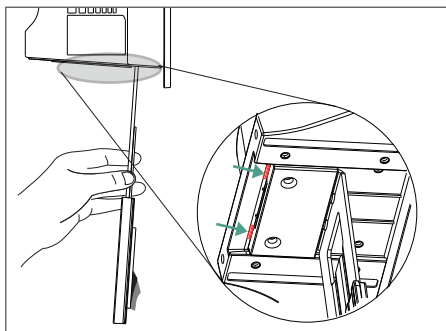


Steps: ① Push the bracket along the track of the V500 codec to an appropriate location.

② Remove one Velcro.

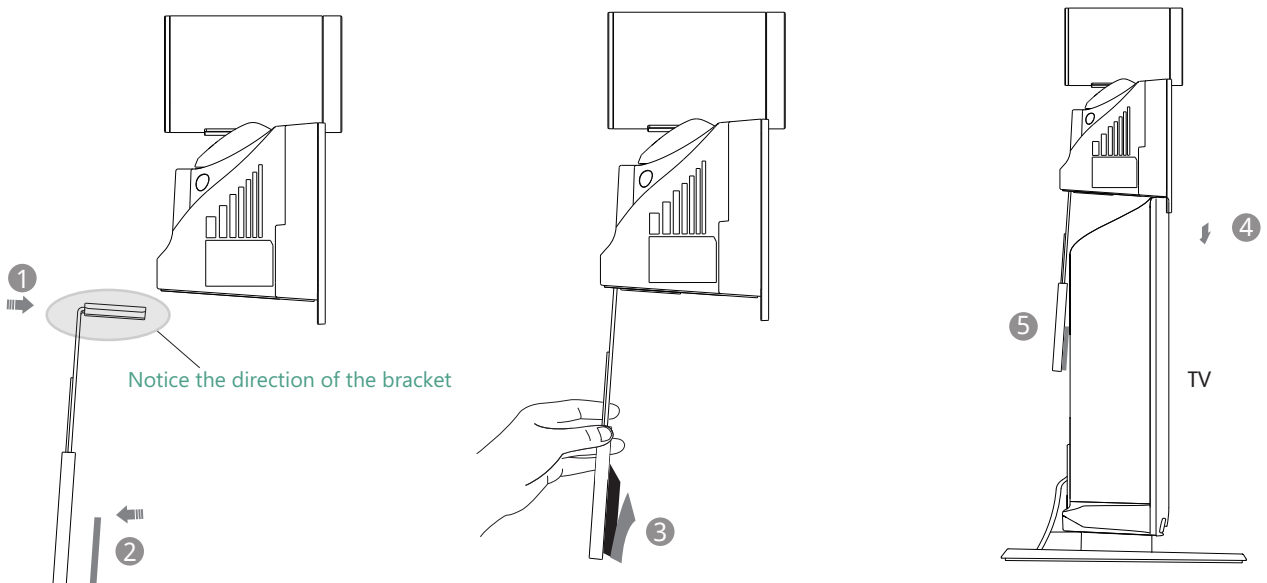
③ Put the bracket on the top of the TV.

④ Stick a Velcro onto the back of the TV, and make sure that the bracket and the back of the TV are tightly positioned against each other.

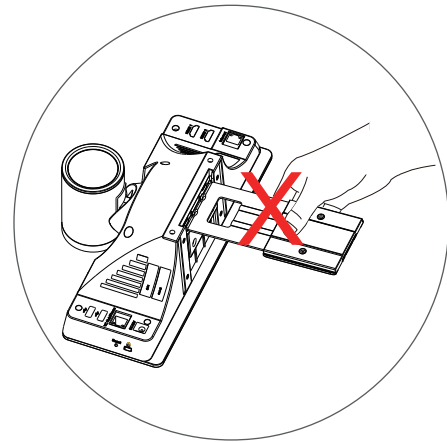
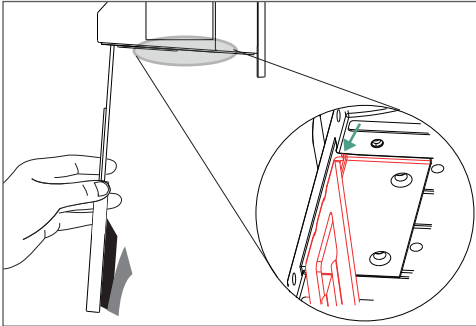


💡 If your VC500 codec cannot be mounted on the top of a TV when the bracket has reached the given location, you should remove the bracket, and then convert its direction. Refer to the following section for more information.

Please choose the following installation method when the thickness of the TV is between 37mm and 77mm.



- Steps:
- ① Push the bracket along the track of the V500 codec to an appropriate location.
 - ② Stick a Velcro onto the bracket.
 - ③ Remove one Velcro.
 - ④ Put the bracket on the top of the TV.
 - ⑤ Stick a Velcro onto the back of the TV, and make sure that the bracket and the back of the TV are tightly positioned against each other.



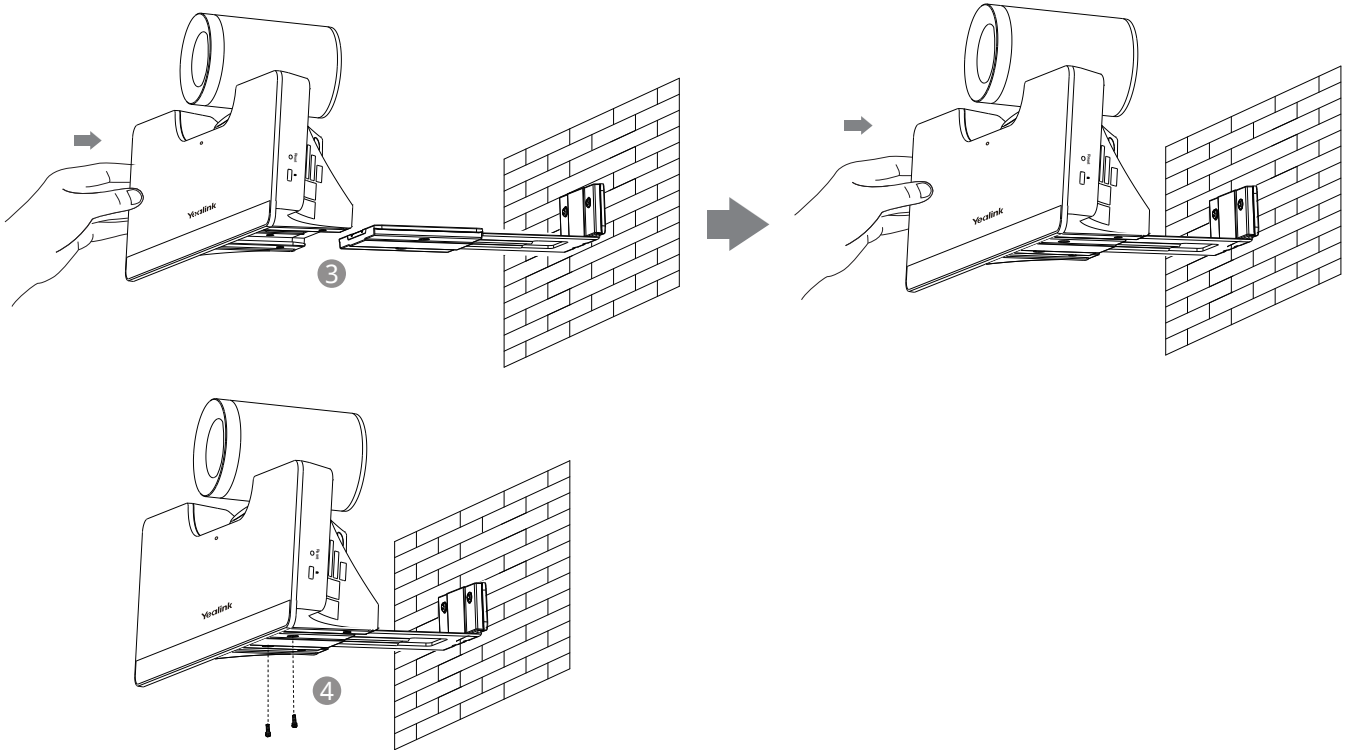
💡 If your VC500 codec cannot be mounted on the top of a TV when the bracket has reached the edge of the VC500 codec, choose other installation methods. The VC500 codec may fall down when the thickness of the TV is more than 77 mm. In this situation, do not mount the VC500 on the top of a TV.

💡 Do not pick up the bracket which connects with a VC500 codec, the VC500 codec may fall down in this situation.

● Mount on a Wall

The recommended height for VC500 codec positioning is 1.5m-1.8m above the ground.





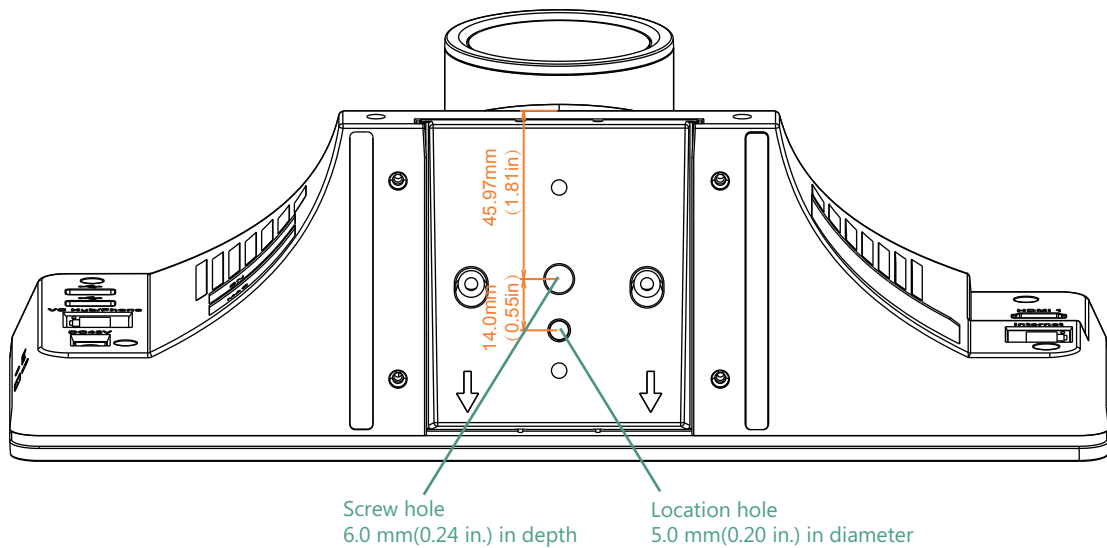
Screw specification: M3×8

- Steps:
- 1 Punch holes into the wall and then insert the expansion bolts.
 - 2 Secure the bracket using the T4×30 screws.
 - 3 Push the VC500 codec along the track of the bracket.
 - 4 Secure the VC500 codec onto the bracket using the M3×8 screws.

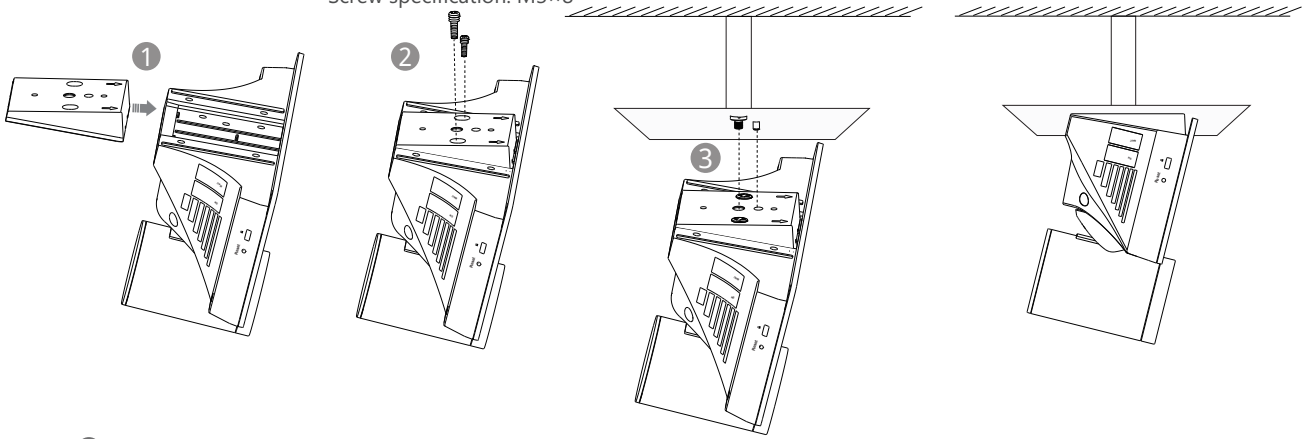
● Mount on a Ceiling

If you choose the ceiling-mounted installation, you need to purchase a bracket separately. The bracket must meet the following requirements:

- Able to bear a weight of at least 10.5kg (23.15 lb.) and has a thickness between 2mm (0.08 in.) and 3 mm (0.12 in.).
- Comes with a 1/4"-20 UNC screw.
- Comes with a location pillar, which can be inserted into the location hole of the VESA accessory.
- The distance between the screw on the bracket and the location pillar must be 14 mm (0.55 in.).



Screw specification: M3×8



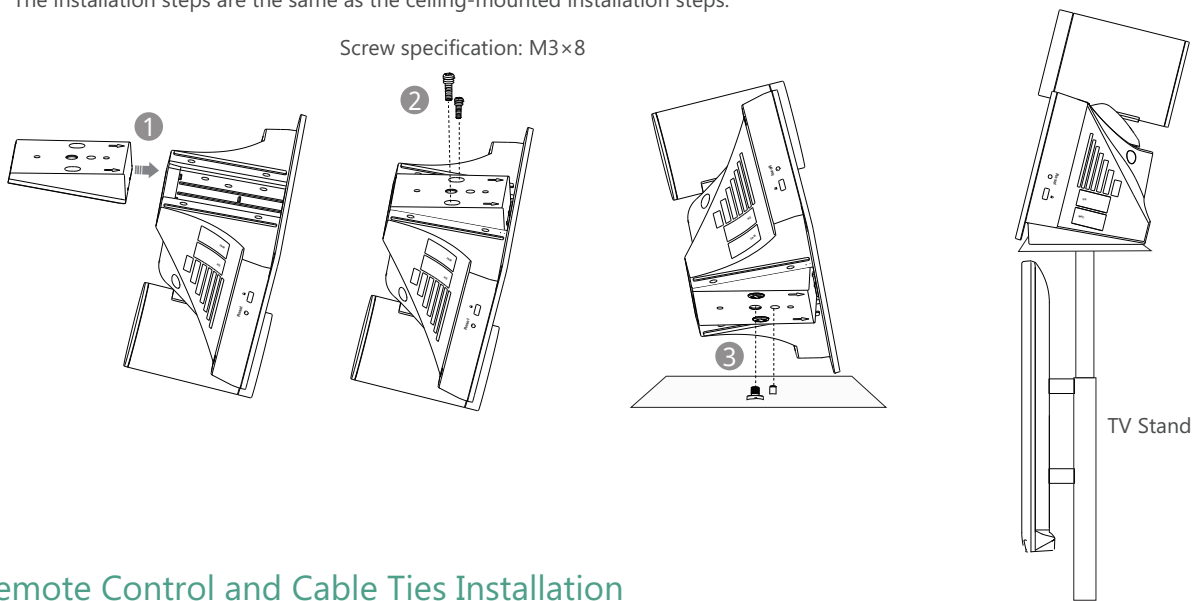
- Steps: ① Push the VESA accessory along the track of the VC500 codec.
② Secure the VESA accessory to the VC500 codec using the M3×8 screws.
③ Align the location pillar at the location hole, and then secure the bracket to the VESA accessory using the 1/4"-20 UNC screw.

● Mount onto a TV Stand or a Tripod

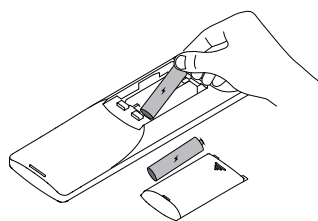
You need to purchase a TV stand or a tripod separately. The TV stand or tripod has the same requirements as the bracket used in the ceiling-mounted installation method.

The installation steps are the same as the ceiling-mounted installation steps.

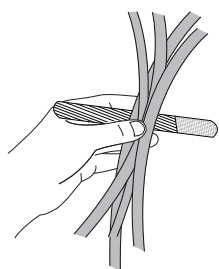
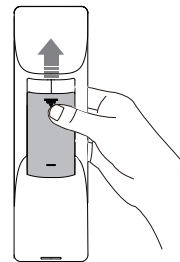
Screw specification: M3×8



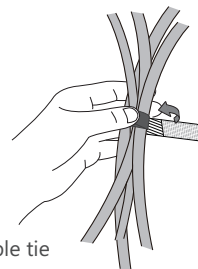
Remote Control and Cable Ties Installation



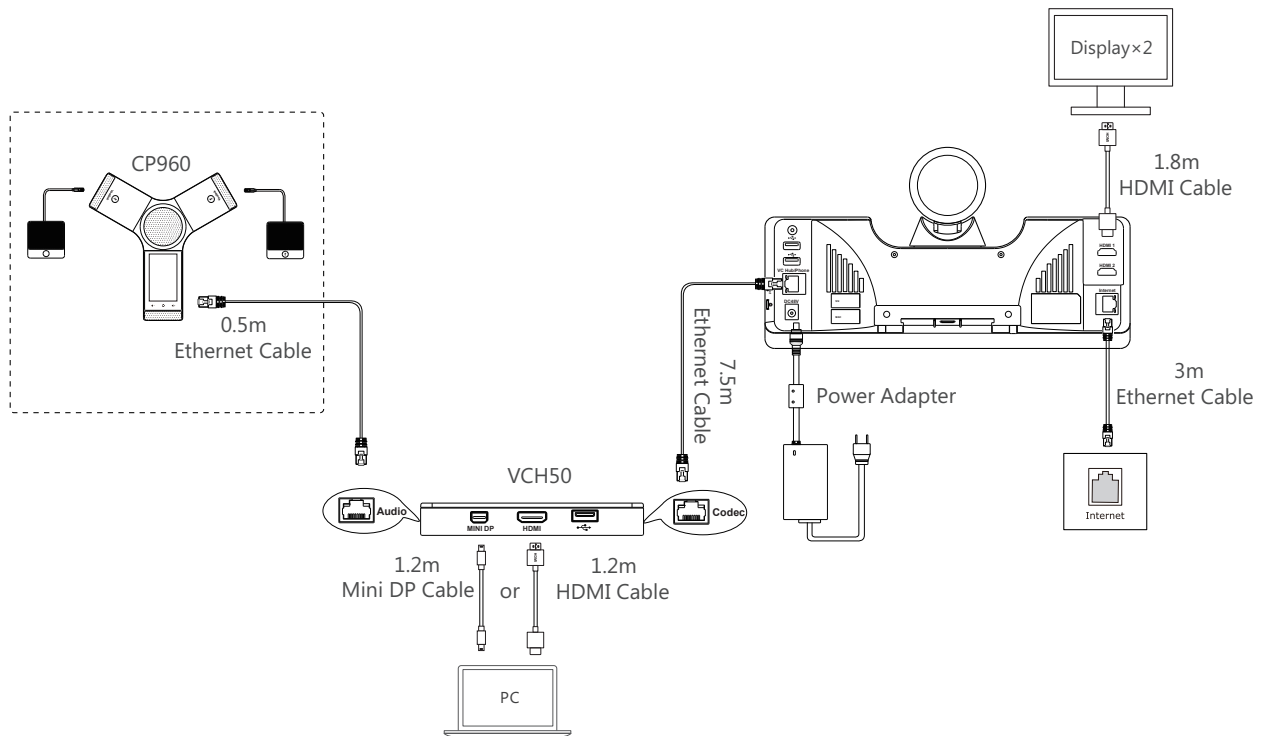
Install batteries



Fasten the cables with the cable tie



Connections



💡 Please connect to the HDMI 1 port if you only have one display device.

💡 You can also connect the VC Hub/Phone port on the VC500 codec to the Internet port on CP960 conference phone directly.

Network Deployment

VC500 supports two network deployment methods: Cloud deployment and traditional deployment. You can choose the deployment method according to your need.

● Cloud Deployment

With Cloud service, organizations can communicate using the Cloud platform, so that complex network settings are unnecessary. You can log into Yealink VC Cloud Management Service/Yealink Meeting Server/StarLeaf/Zoom/Pexip/BlueJeans/Mind platform using VC500 video conferencing endpoint. Get account information from your administrator.

Do the following to log into your VC500 via remote control:

- Select **More->Setting->Advanced** (Default Admin Password:0000)->**Video Conference Platform**.
- In the **Cloud Account** field, check the **Enabled** checkbox.
- Select the desired platform from the pull-down list of **Platform Type**.
- Configure the desired platform and log in.

● Traditional Deployment

If you do not log into the Cloud platform, you can choose traditional deployment method to deploy your VC500, and dial the IP address of other device to make a call.

In order to ensure that the VC500 can work properly, please configure it according to the actual situation.

If it is in the head office, please make sure that it is reachable from public network. If it is in the branch office, please use intelligent traversal to deploy it or just follow the same steps as for the head office.

Head Office

If you deploy VC500 in the head office, at least one static public IP address is required in the head office to allow branch offices to connect.

Do one of the following to deploy VC500:

Option1: To deploy the VC500 on a public network, at least one static public IP address is required, you need to assign a static public IP address to the VC500.

Option2: To deploy the VC500 in an Intranet (behind the firewall), you must assign a static private IP address to the VC500. In the meantime, do port mapping on the firewall for VC500.

Configure a Static IP

The following introduces how to configure a static IP address for the VC500.


For example: use the remote control to configure a static IPv4 address to your VC500.

- Select **More**->**Setting**->**Advanced** (Default Admin Password:0000)->**Internet Configuration**.
- Select **IPv4** from the pull-down list of **IP Mode**.
- Press ▲ or ▼ to select **IPv4**, and then press **OK**.
- Uncheck the **DHCP** checkbox.
- Enter the IP address, subnet mask, gateway and DNS information in corresponding fields.
- Press ▲ or ▼ to select **Save**, and then press **OK** to save the configuration.
- The screen prompts [**Reboot now?**]. Select **OK** to reboot the endpoint.

Configure Port Mapping

If the VC500 is deployed in an Intranet, and you want to solve the interconnection problem by port mapping, you must forward the following ports to the public network on the firewall.

Function	Port	Protocol Type
H.323 signal port	1719-1720	UDP/TCP
Audio & Video media stream port	50000-50499	TCP/UDP
Web management port (optional)	443	TCP
SIP (optional)	5060	TCP/UDP

 It is recommended that you forward the web management port(443/TCP) to the public network, so that the head office can remotely manage the branch office.

Function	Port	Protocol Type
H.323 signal port	1719-1720	UDP/TCP
Audio & Video media stream port	50000-50499	TCP/UDP
SIP (optional)	5060-5061	TCP/UDP

Bandwidth Requirements

- To ensure the performance of video conference, the recommended bandwidth for VC500 is as below:

Video Resolution	Recommended Bandwidth
Full HD 1080P	1.3Mb
People 1080P+Content 1080P	2.6Mb

- 💡 For more information of the configurations, contact your system administrator.
- 💡 The bandwidth mentioned above is based on two-way conference. Bandwidth in head office should be increased along with the growing number of connected branch offices .

Troubleshooting

- After installation and deployment, you can test the VC500 by dialing the Yealink Demo Room. If you can't dial out successfully, please contact your IT administrator to check the internal network configuration.
- If you do not use Cloud platform and deploy your VC500 in an Intranet, you have configured port mapping on the firewall or gateway, but you find that local endpoint appears black screen and you cannot hear sound when you call Yealink Demo or other endpoints. The most likely reason is that the firewall or gateway in your environment does not support the H.323 ALG feature. In this situation, please take the following actions so that the NAT feature on the VC500 can solve this problem.

To configure NAT via the remote control:

- Select **More->Setting->Advanced** (Default Admin Password:0000)->**NAT/Firewall**.
- Select **Auto** from the pull-down list of **Type**, the endpoint will obtain public IP address automatically.
- If the endpoint does not obtain a public IP address automatically, select **Manual Settings** from the pull-down list of **Type**, and then enter the public IP address in the **Public IP Address** field.

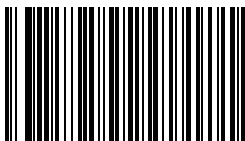
Yealink Test Room IP: 117.28.251.50, 117.28.251.51

About Yealink

Yealink (Stock Code: 300628) is a global leading unified communication (UC) terminal solution provider that primarily offers video conferencing systems and voice communication solutions. Founded in 2001, Yealink leverages its independent research and development and innovation to pursue its core mission: "Easy collaboration, high productivity." The company's high-quality UC terminal solutions enhance the work efficiency and competitive advantages of its customers in over 100 countries. Yealink is the world's second-largest SIP phone provider and is number one in the China market.

Technical Support

Visit Yealink WIKI (<http://support.yealink.com/>) for the latest firmware, guides, FAQ, Product documents, and more. For better service, we sincerely recommend you to use Yealink Ticketing system (<https://ticket.yealink.com>) to submit all your technical issues.



VC500 - EN

YEALINK(XIAMEN) NETWORK TECHNOLOGY CO.,LTD.

Web: www.yealink.com | Addr: 309, 3th Floor, No.16, Yun Ding North Road, Huli District, Xiamen City, Fujian, P.R. China

Copyright©2017YEALINK(XIAMEN) NETWORK TECHNOLOGY CO.,LTD. All rights reserved.

