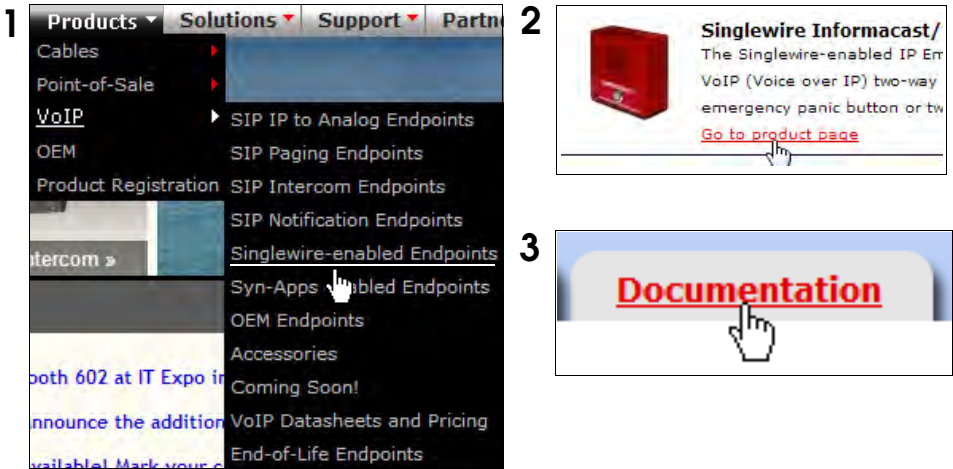


1.0 Out-of-Box and Prior to Final Installation

- 3.1. Verify that you have received all of the parts listed on the *Installation Quick Reference* placemat.
- 3.2. Download the current manual, otherwise known as an *Operation Guide*, which is available on the **Documentation** page at the following website address:

<http://www.cyberdata.net/products/voip/digitalanalog/singlewireemergencyintercom/docs.html>

Note You can also navigate to the **Documentation** page by going to www.CyberData.net and following the steps that are indicated by the following figures:

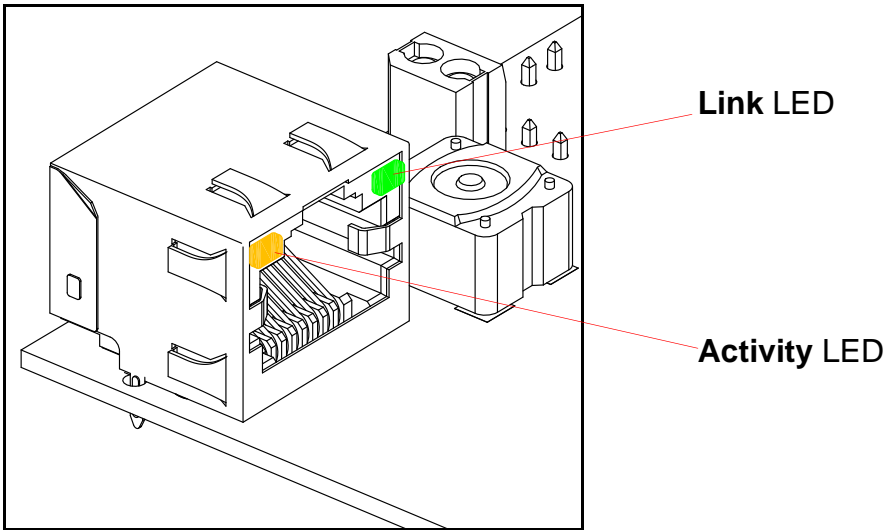


2.0 Select Power Source

PoE Switch	PoE Injector
Set PoE power type to Class 0 = 15.4W	CAT6 cable recommended— for longer distances
	Be sure you are using a non-PoE switch or port
Make sure port is not in trunk mode	
Set port to full duplex/ 100Mbps	

3.0 Power Test

- 3.1. Plug in the CyberData device and monitor the LED activity above the ethernet port on the back of the Intercom. See the following figure:



- 3.2. The **GREEN Link** LED blinks off once during the boot up process and then comes on again and remains constant (solid **GREEN**). The **YELLOW Activity** LED may be blinking depending on the network activity.

During the initialization process, the Call Button LED should come on solid. It will then blink 10 times per second until it can find a network address. This can take from 5 to 60 seconds. When the device has completed initialization, the Call Button LED will blink twice and then remain solid.

- 3.3. When the Intercom has completed the initialization process, press and hold the RTFM switch (SW1 button) for 3 seconds to announce the IP address.

This concludes the power test. Go to [Section 4.0, "InformaCast Configuration File Retrieval"](#).

4.0 InformaCast Configuration File Retrieval

4.1. **DHCP should be enabled.** After the device initializes, it will send a broadcast to the DHCP server to ask for the location of its **InformaCastSpeaker.cfg** configuration file.

4.2. SLP or TFTP?

- **SLP** should be enabled on InformaCast version 5.0.4 or higher. SLP is an InformaCast protocol introduced in InformaCast version 5.0.4. The device will retrieve its configuration file from an InformaCast server folder specified by SLP. SLP method is preferred.
- **TFTP** servers may be used instead of SLP. In this alternate scenario, DHCP option 150 is required to provide the device with the address of the TFTP server. Otherwise, the device will be unable to retrieve its configuration file.

Note The device and InformaCast server should be on the same subnet during the device's initial configuration if it cannot access the VLANs upon which the InformaCast Server and DHCP servers are located. It may be necessary to manually configure your switch port to allow access to the VLAN.

5.0 Singlewire-Enabled VoIP Emergency Intercom Identification and Testing

5.1. Ensure the InformaCast Server has detected a new device.

5.2. Test the newly detected device.

5.3. Add the newly detected device to the InformaCast Server.

6.0 Contacting CyberData VoIP Technical Support

Please visit our website and complete the **Contact VoIP Tech Support** form available at the following website address:

<http://www.cyberdata.net/support/contactsupportvoip.php>

Note You can also navigate through menus to the Support form by going to www.CyberData.net as shown in the following figure:



The **Contact VoIP Tech Support** form initiates a ticket which CyberData uses for tracking. Most importantly, the **Contact VoIP Tech Support** form tells us which PBX system and software version that you are using, the make and model of the switch, and other essential troubleshooting information. Please also include as much detail as possible in the **Describe Problem** section of the **Support** form.

Requests for Returned Materials Authorization (RMA) numbers require an active VoIP Technical Support ticket number. A product will not be accepted for return without an approved RMA number.

More information about warranty and RMA returns is available at the following website address:

<http://www.cyberdata.net/support/warranty/index.html>