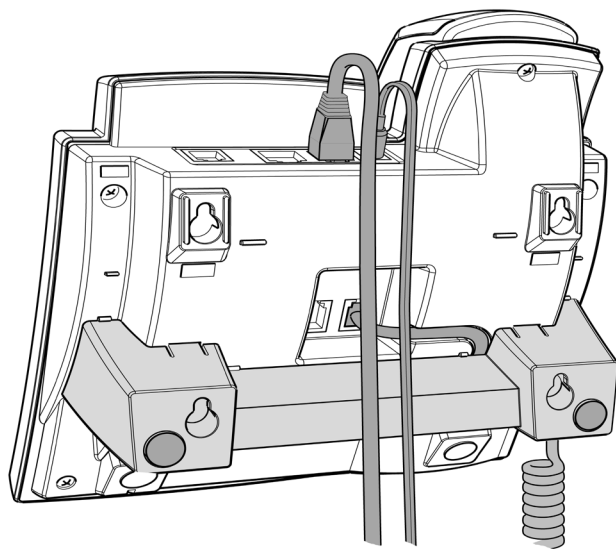
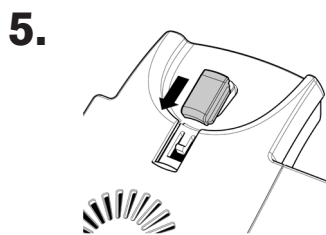
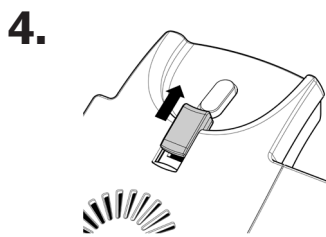
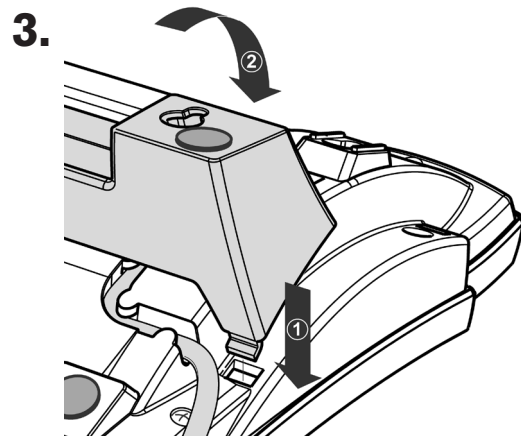
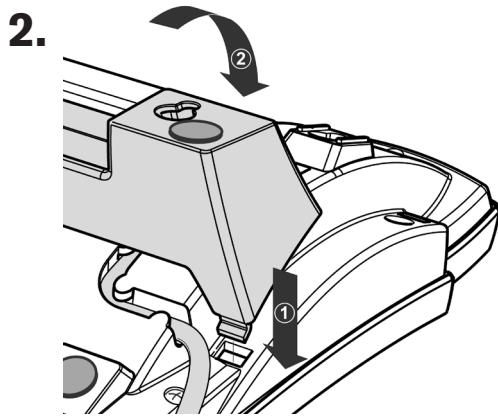
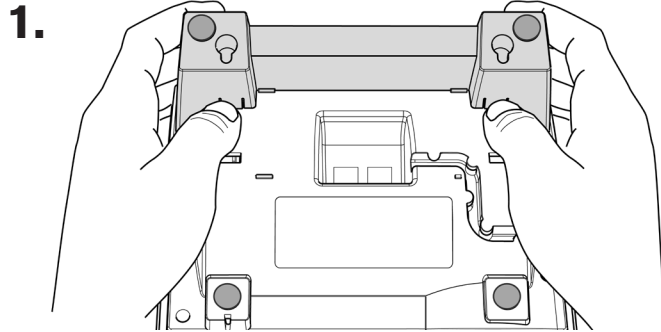
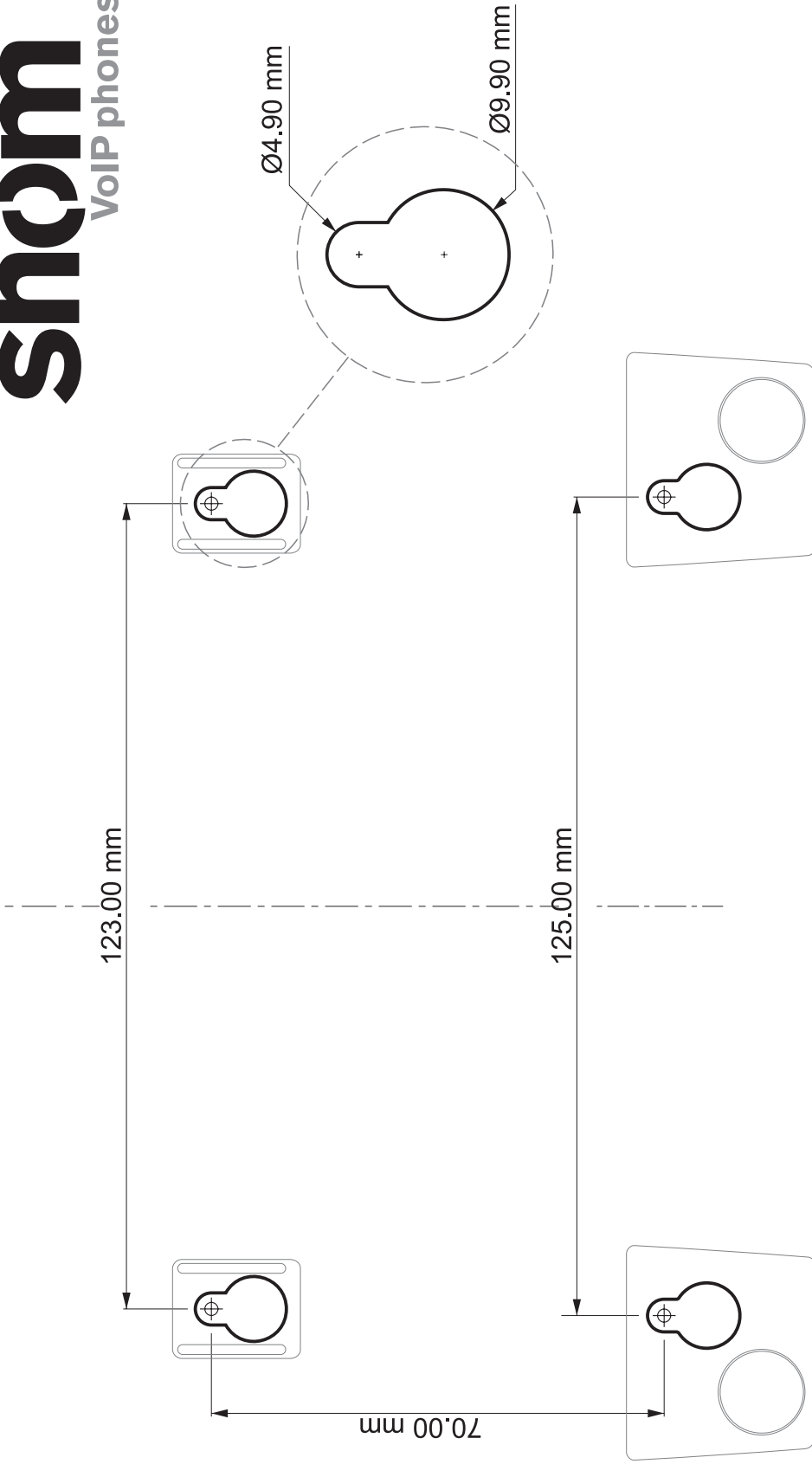


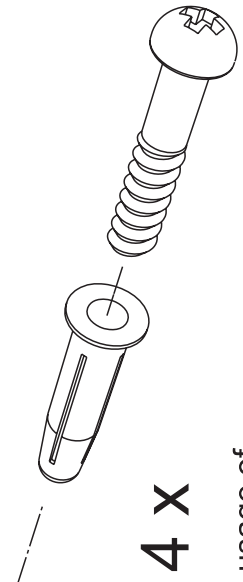
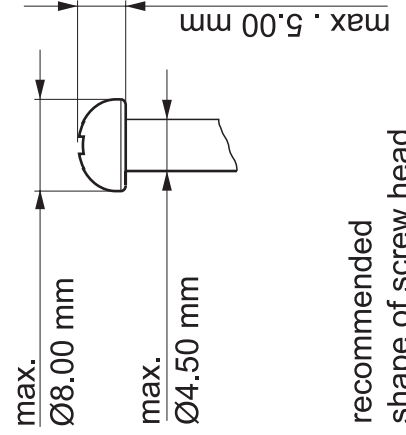
Wallmount Guide ■ ■ ■ snom 300





Drill Template for Wallmount Usage

VoIP - Phone Model
snom 300



4 X

usage of
woodscrews and dowels recommended
for brick and concrete walls