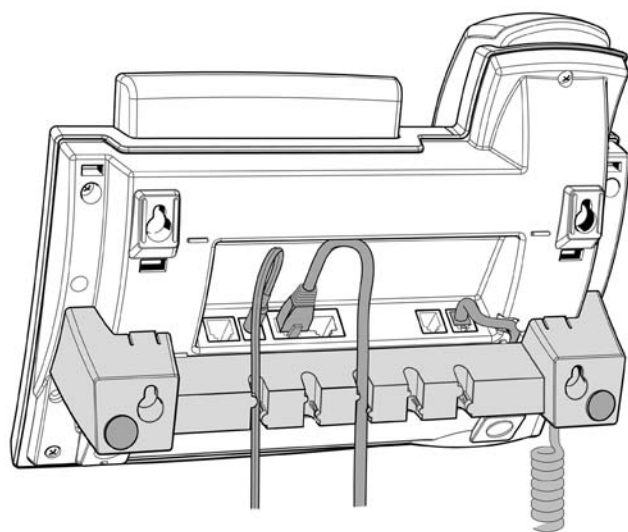
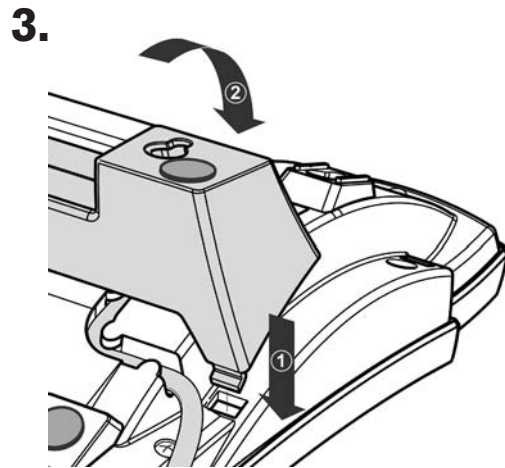
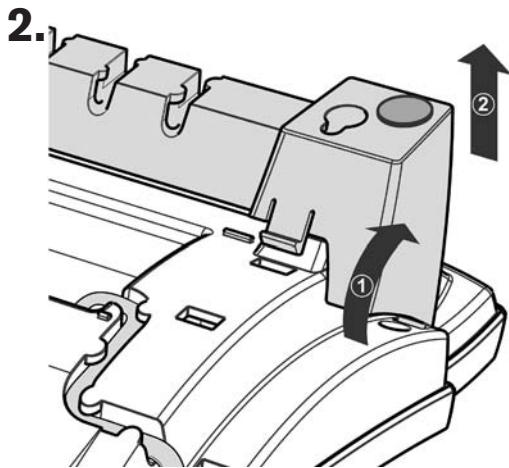
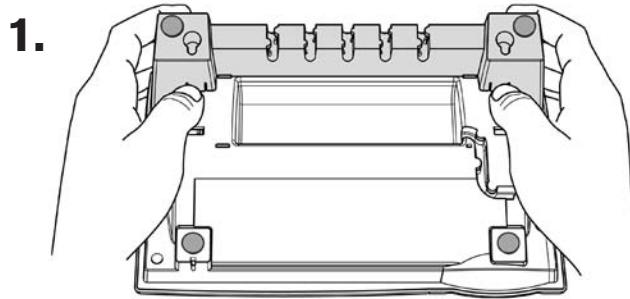
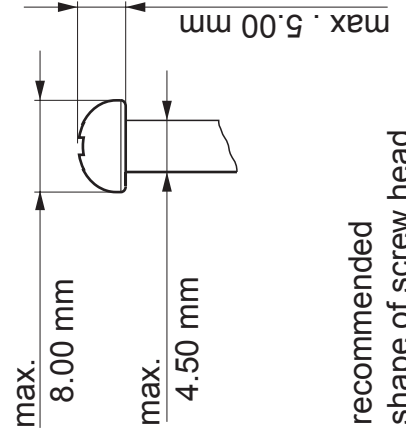
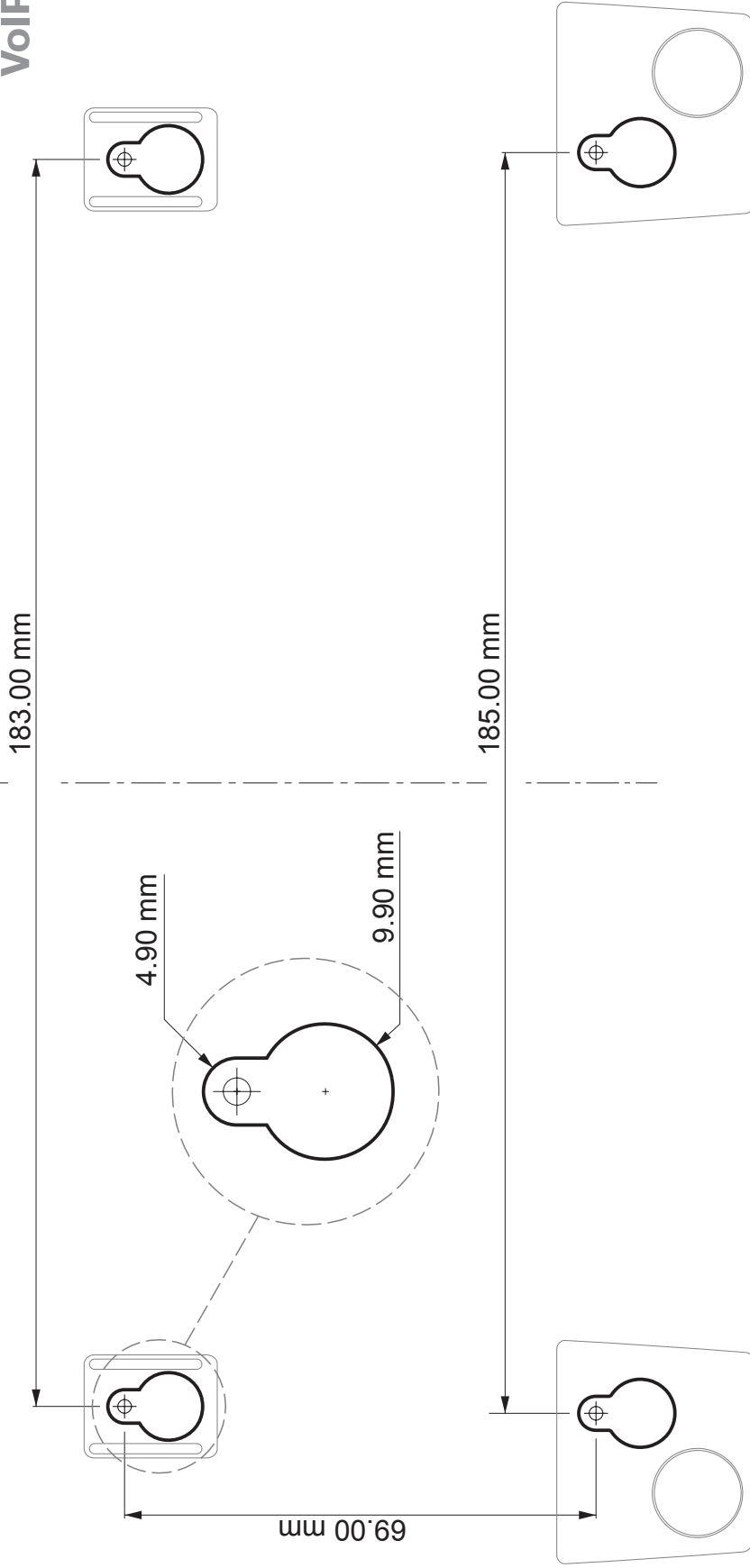
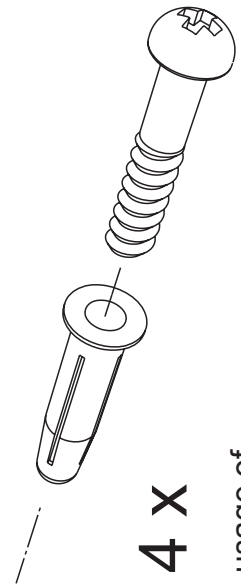


# Wallmount Guide ■ ■ ■ snom 370





recommended shape of screw head



**4 X**

usage of woodscrews and dowels recommended for brick and concrete walls

## Drill Template for Wallmount Usage

VoIP - Phone Models  
*snom 320, snom 360, snom 370*