

Language Settings

The default language of the phone is English. It supports several kinds of languages, users can choose a prefer one to use.

Press Menu-> Settings->Basic Setting->Language to enter the language list, choose the one you'd like to set on the phone.

Configuring via Web Page

Press **OK** button on the keypad of the phone to enter the Status page and find the IP address of the IP phone. Enter it (for example http://192.168.3.35) into the address bar of web browser. The default login name and password are **admin/admin**.

Note: Please locate your PC in the same network segment of the IP phone(192.168.3.X) to access the web configuration page. Please consult your network administrator or service provider for help.

Network Settings: Choose Network->Internet Port (WAN)

DHCP: By default the phone attempts to contact to a DHCP Server in your network in order to obtain its valid network settings, e.g. IP address, sub mask, gateway, DNS server, etc.

Static IP Address: If your phone cannot contact a DHCP Server for any reason, you need to enter the network settings manually via Static IP Address. Please contact your internet administrator for more details.

PPPoE: If you are using the xDSL Modem, you can connect your phone to the internet via PPPoE mode. Please contact your ISP for the **User Name** and **Password** for internet access.

Note: Using the wrong network parameters may result in inaccessibility of your phone and may also have an impact on your network performance! Please contact your network administrator!

Account Setting: Press Account-> Account 1

Parameter:

Line Active:	You can Enable/Disable this account by the right/ left navigation key respectively.
Label:	It is showed on LCD for user to identify the account.
Display Name:	It is showed as Caller ID when making a phone call.
Register Name:	It is provided by ISP for registration.
User Name:	User account information, provided by VoIP service provider.
Password:	It is provided by ISP for registration.
SIP Proxy:	Server for registration, provided by ISP.

Please contact your service provider for more account details.

Configuring via Keypad

Network Setting: Press Menu->Settings ->Advanced ->Network->WAN Port Option/ LAN Port Option to enter the internet relating configuration page.

Account Setting: Press Menu->Settings ->Advanced ->Accounts->OK to configure the account settings. You can refer to the above "Configuring via Web Page" for the parameter details.

Yealink

EASY VoIP

Enterprise IP Phone SIP-T20P



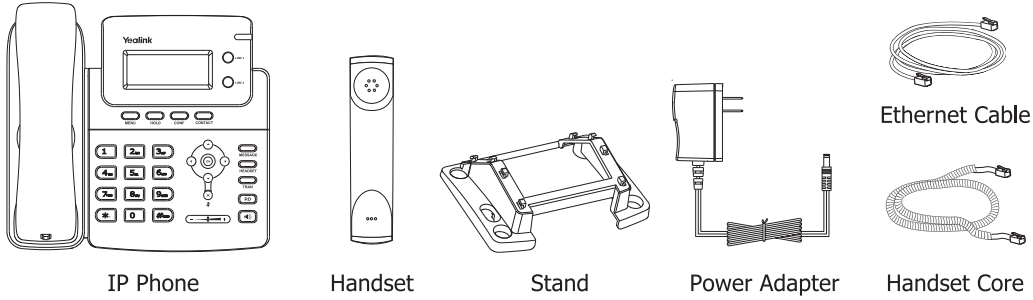
Quick Installation

www.yealink.com

Tel: +44 (0)1245 808195 Fax: +44 (0)1245 808299

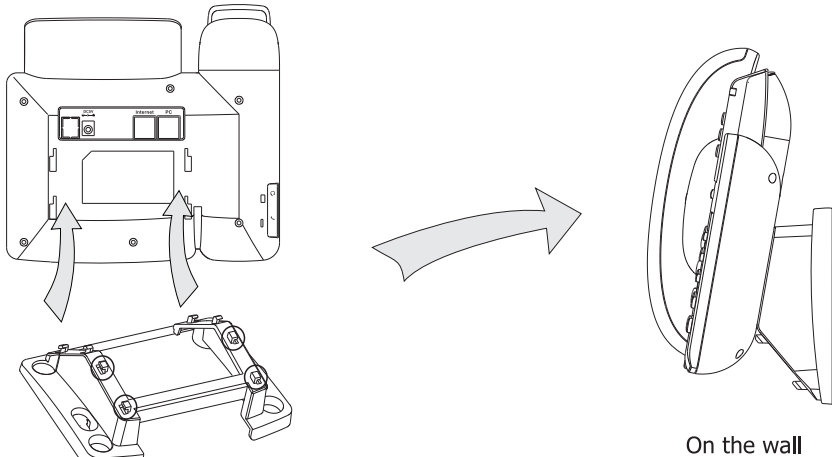
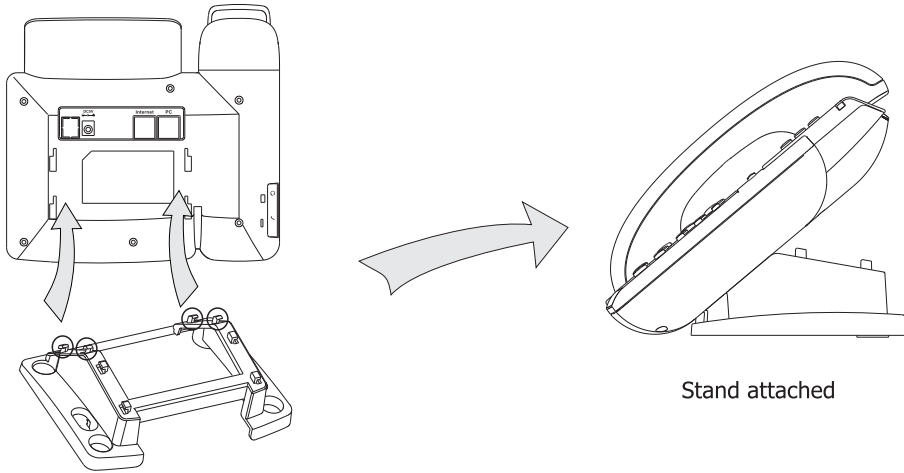
VoIPon www.voipon.co.uk sales@voipon.co.uk

Packing List

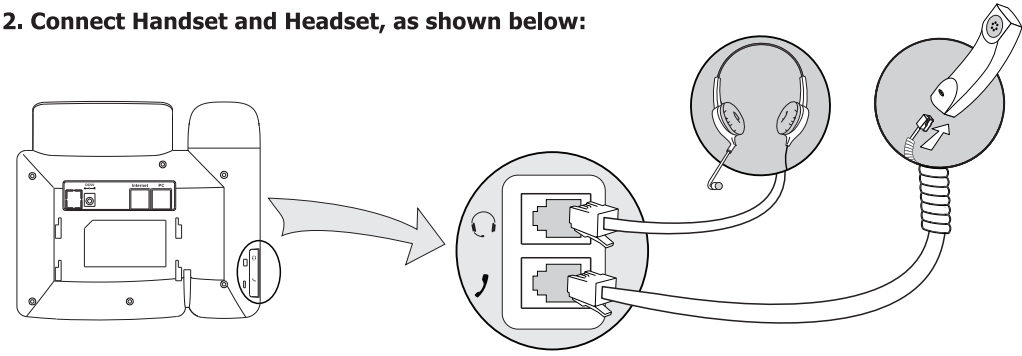


Assembling the Phone

1. Attach the Stand, as shown below:

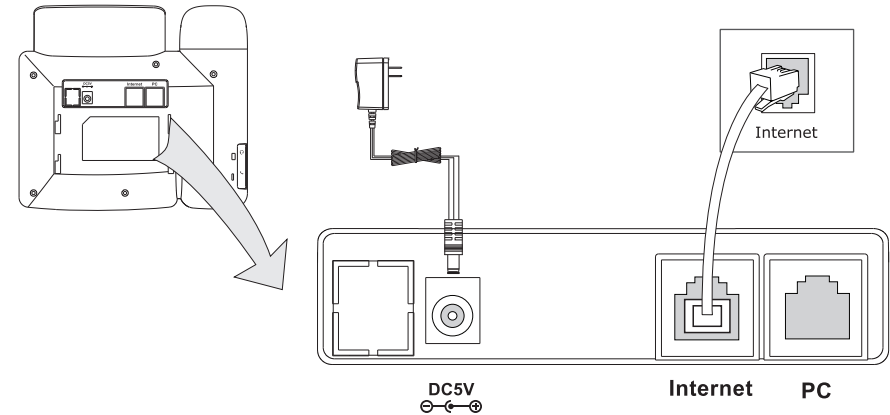


2. Connect Handset and Headset, as shown below:



3. Connect Network and Power

There are two ways for network and power source connections. You can either connect the phone to the AC Power directly using the power adapter or to a PoE compliant switch or hub. Your system administrator will advise you on which one to use.



Note: If inline power (PoE) is provided, do not install AC adapter. Make sure the Ethernet cable and switch/hub are PoE compliant.

The phone can also share the network connection with other network devices such as PC. Connect the phone's PC port and computer's Network Port together using an Ethernet cable, shown as below:

